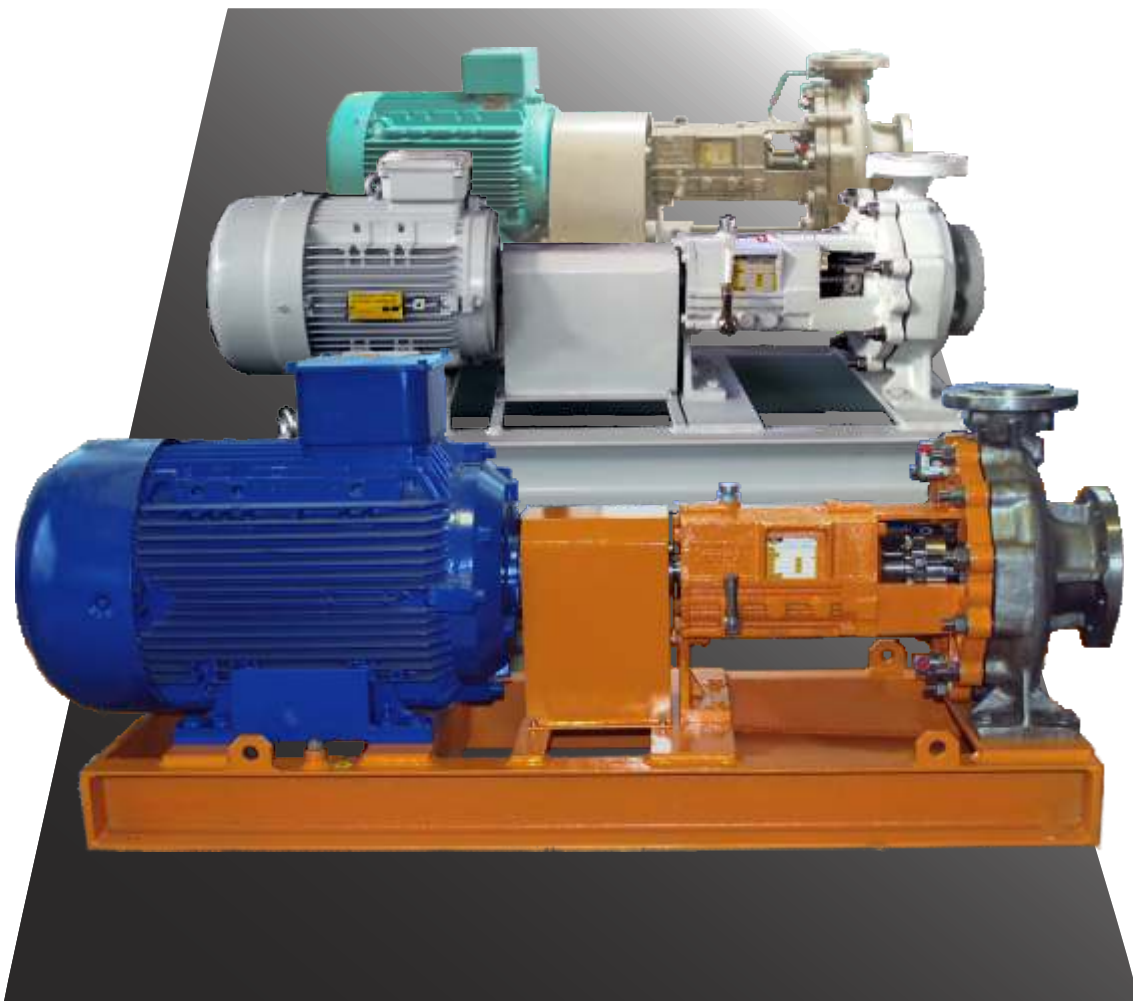


NCM LINE



SINGLE STAGE CENTRIFUGAL PUMPS FOR
CHEMICAL SERVICE ACCORDING TO ISO 2858

GENERAL FEATURES

The Idrochemical NCM process pumps conform to ISO 2858 dimensional and ISO 5199 design criteria. Casing and impeller profiles are designed to reach high hydraulic efficiency and low NPSH. The NCM line has five sizes of bearing housing with a wide interchangeability of parts allowing the stock of few spare parts for maintenance.

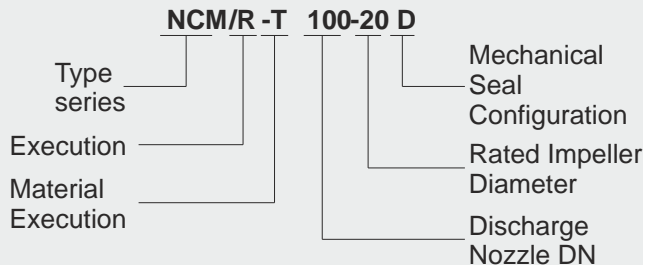


APPLICATIONS

- Acid transfer
- Caustic and chlor-alkali
- Man made fibers
- Polymers
- Slurry processing
- Solvents
- Volatile organic compounds
- Waste processing



DESIGNATION

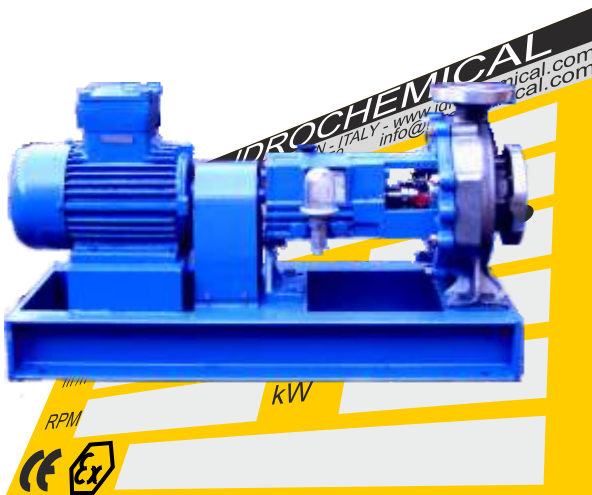


OPERATING PARAMETERS

- Flows up to 1500 m³/h (6600 US gpm)
- Heads up to 140 m (460 ft)
- Pressures to 25 bar (365 psi)
- Temperatures from -80°C (-110°F) to 350°C (660°F)
- Discharge size from 20 mm (¾ in) to 300mm (12 in)

STANDARDS COMPLIANCE

The NCM are CE marked and compliant with applicable European directives, such as ATEX.



CONSTRUCTION

IMPELLER

Closed with six blades, closed with three blades or open types are available.
Axial thrust balanced with holes or dorsal vanes. Single or double wear ring.



CASING

Vertical split, one piece volute casing which has sturdy integrally cast feet. Axial suction and top delivery.
An optional jacketed casing is available for those applications in which the pumped fluid must be heated or cooled to maintain optimal viscosity.



SEAL HOUSING

Seal chamber accommodates many seal types including single, double and tandem arrangements. The double and tandem seals are available for more severe and environmentally sensitive applications.
All seals can be backed up by a range of flush plans and auxiliary systems.
Conventional and double cartridge seals can be fitted in accordance with the manufacturer's standard or with those designed to meet the latest ISO or DIN standards.
External seals and gland packing are optional, as is the seal housing jacket which controls the seal environment.

SHAFT AND SHAFT SLEEVE

NCM shafts and bearings are designed to improve pump reliability. The robust and stiff solid shaft ensures less than 0.05 mm deflection at the seal face and low L/D ratio to maximize mechanical seal life.
As standard shaft is available in AISI 316 stainless steel.
To meet application requirements shaft can be provided with shaft sleeve. Shaft sleeve as well as shaft are available in a wide range of corrosion resistant alloys.

BEARINGS

As standard the NCM is supplied with two deep groove ball bearings.
As an optional upgrade, the NCM can be supplied with a roller bearing to the impeller side and a double row angular contact thrust bearing providing life in excess of the minimum specified by ISO 5199

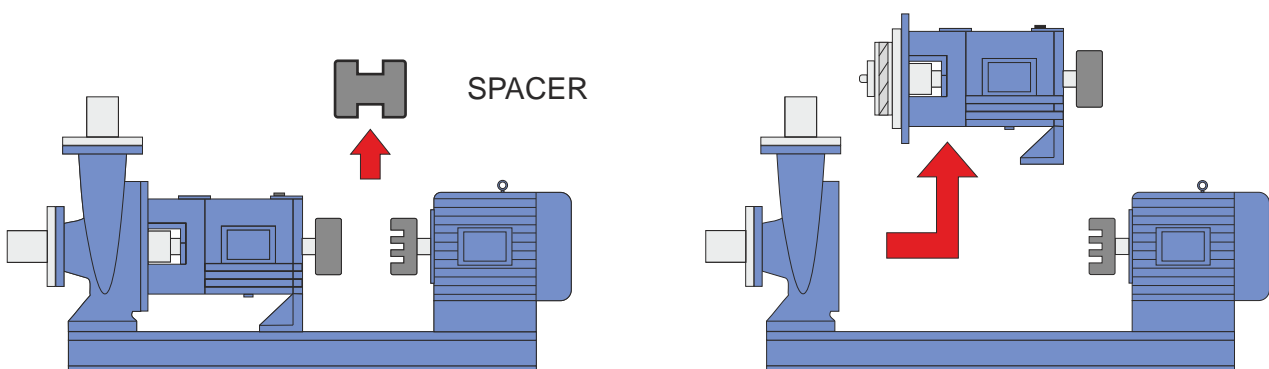


BEARING HOUSING AND LANTERN

Both one-piece, cast iron Bearing Housing and lantern are designed for safety, maximum concentricity, strength and alignment.

BACK PULL OUT

Hydraulic element is coupled to driver through flexible coupling. This characteristic allows rotating element dismantling for inspection or maintenance without disconnecting flanged connections and base plate. If coupling is provided with spacer, rotating group can be disassembled without disconnecting the driver, maintaining the axial alignment.



MATERIALS

VERSION	EXECUTION	CASING - STUFFING BOX	IMPELLER	SHAFT	SHAFT SLEEVE OPTION		LANTERN	BEARING HOUSING
					SOLID SHAFT	SLEEVE		
G	CAST IRON	CAST IRON	CAST IRON	AISI 316L	AISI 316L	CAST IRON		
GH	CAST IRON S.S. IMPELLER		CF8 (AISI 304)					
F	CARBON STEEL	WCB A216M-93	WCB A216M-93					
H	AISI 304	CF8 A351M-03	CF8 A351M-03					
T	AISI 316	CF8M A351M-03	CF8M A351M-03					
TL	AISI 316L	CF3M A351M-03	CF3M A351M-03					
HL	AISI 304L	CF3 A351M-03	CF3 A351M-03	-	AISI 304L			
TU	URANUS (904L)	URANUS B6M	URANUS B6M		904L			
C	1.4138	1.4138 SEW 410	1.4138 SEW 410		1.4138 SEW 410			
TX	DUPLEX	A890GR4A A890M-99	A890GR4A A890M-99		DUPLEX			
W	ALLOY 20	ALLOY 20	ALLOY 20		ALLOY 20			
NC	HASTELLOY C	CW12MW A494M-03a	CW12MW A494M-03a		HASTELLOY C			
NB	HASTELLOY B	N12MV A494M-03a	N12MV A494M-03a		HASTELLOY B			

Other metallic alloys are available depending on medium handled

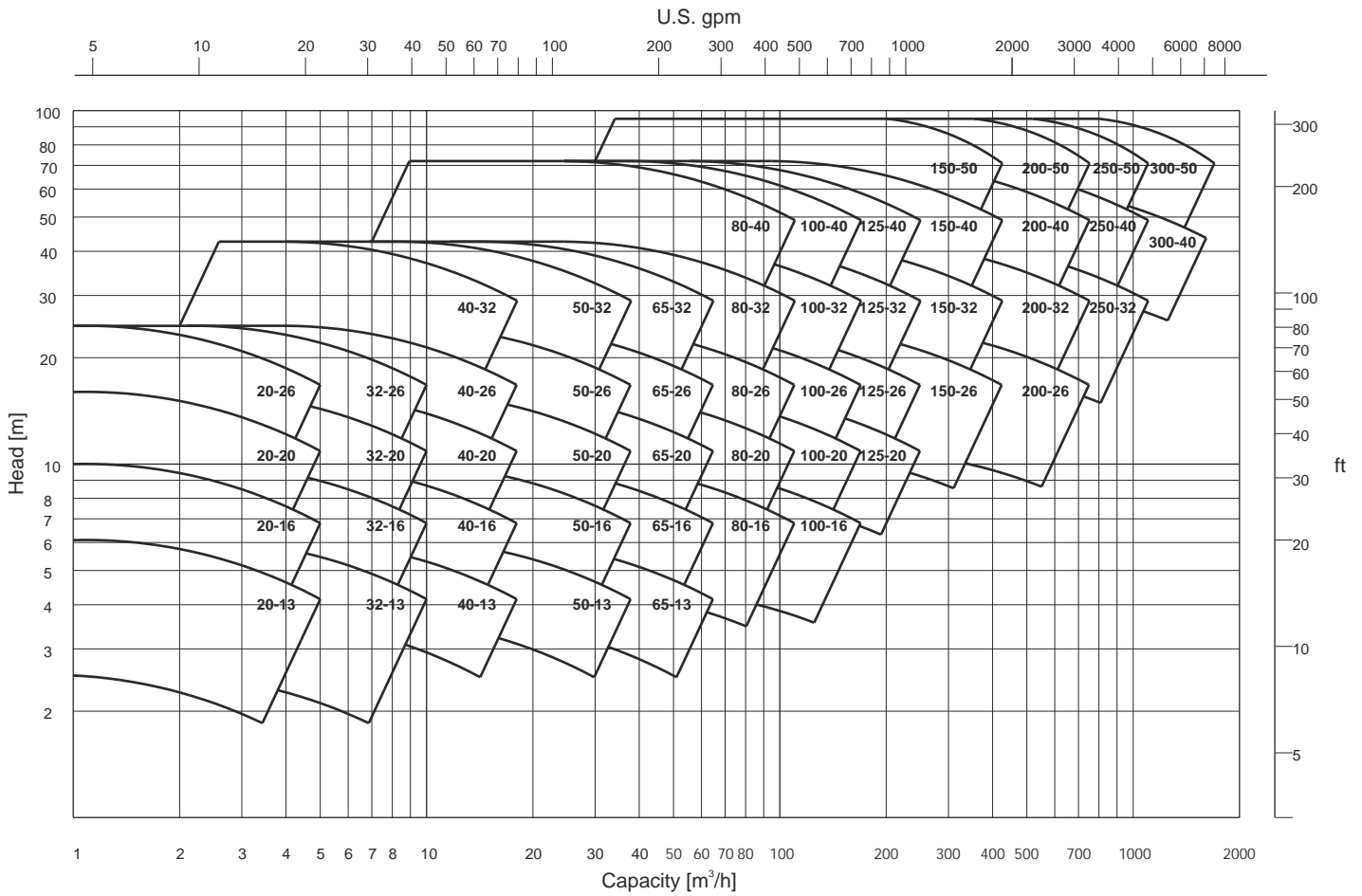
Idrochemical collaborates with foundries which are widely regarded as among European best. They pour alloys from common austenitic stainless steel to light reactive alloys such as titanium or zirconium.



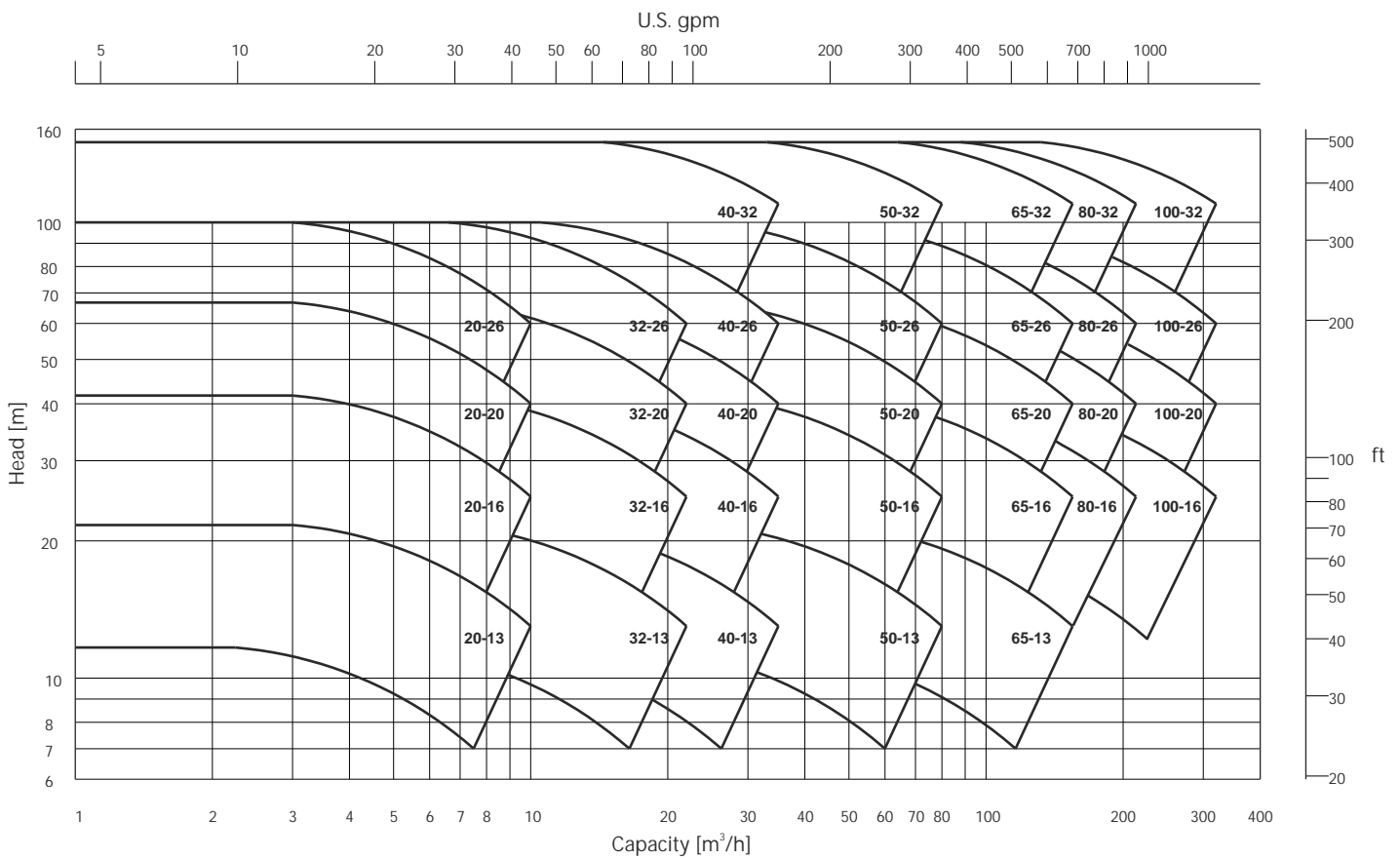
Material	Max Temperature [°C]	Max Pressure [bar]	Max Suction Pressure[bar]	Hydrostatic Test [bar]
Cast Iron	-27÷290 (-16.6÷554°F)	16 (232 psi)	14 (203 psi)	21 (305 psi)
Bronze	130 (266°F)	14 (203 psi)	11 (160 psi)	18 (261 psi)
Carbon Steel	300 (572°F)	25 (365 psi)	16 (232 psi)	36 (522 psi)
Stainless Steel/ Corrosion Resistant Alloys	-80÷350 (-112÷662°F)	25 (365 psi)	16 (232 psi)	36 (522 psi)

COVERAGE CHART - closed impeller

n=1450rpm



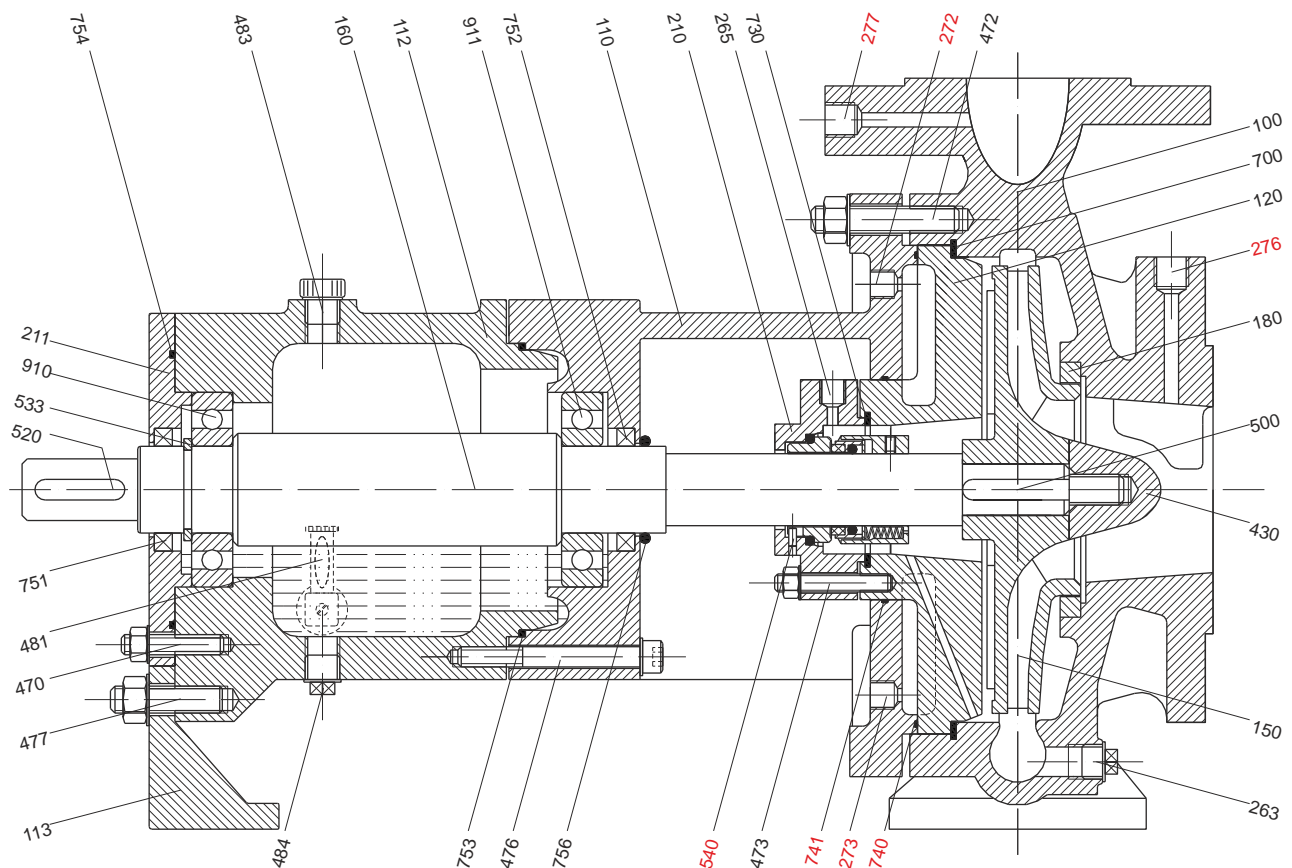
n=2900rpm



INTERCHANGEABILITY

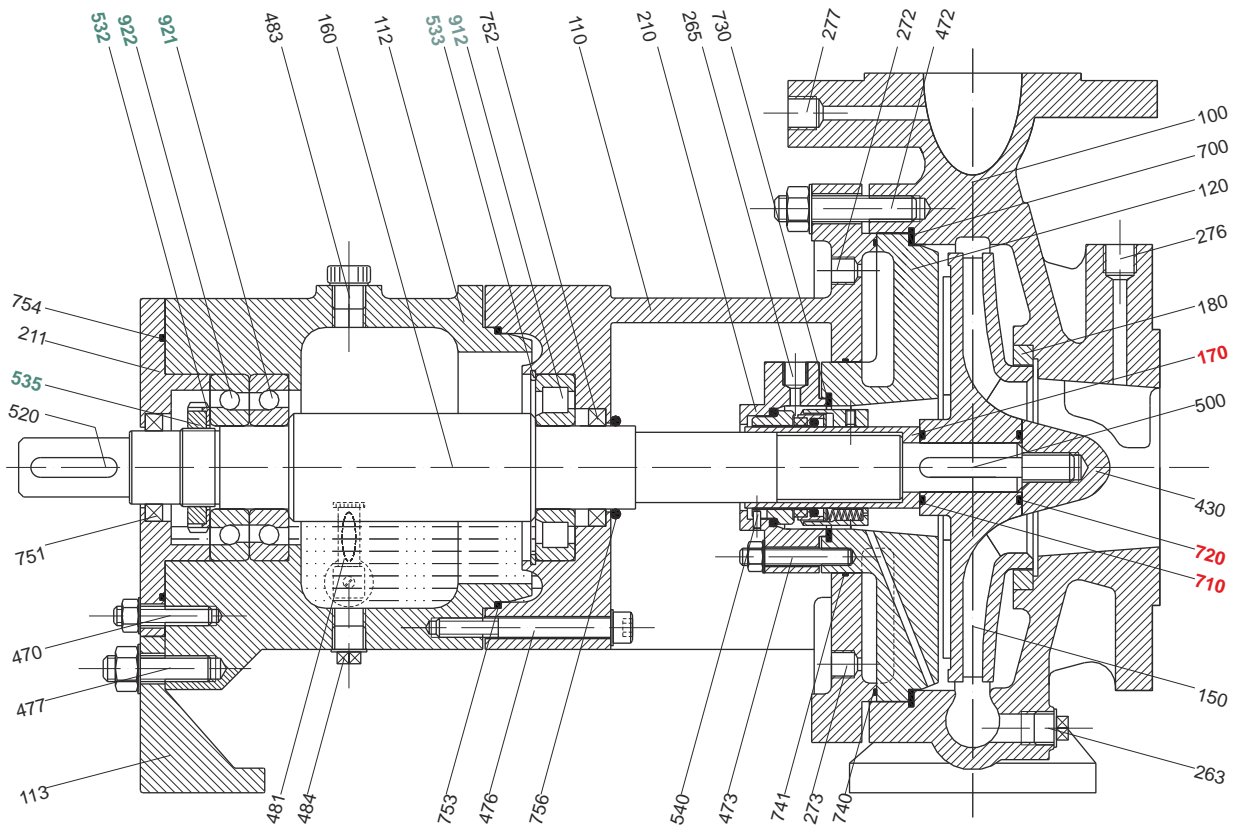
Casing & Impeller	Lantern & Seal Housing	Bearing Housing, Shaft & Shaft Sleeve	Bearings				Shaft ø [mm]			
			Standard Execution		Reinforced Execution /R		in Seal Housing		at Coupling	
			Pump End	Motor End	Pump End	Motor End	Solid Shaft	Sleeved Shaft		
20-13	●	● FRAME 0	6305 C3	6305 C3	NU 305	2x 7305 BG	24	28	22	
20-16	●									
20-20	●									
20-26	●									
32-13	●	● FRAME 1	6306 C3	6306 C3	NU 306	2x 7306 BG	28	33	24	
40-13										●
50-13										●
65-13										●
32-16	●	● FRAME 2	6308 C3	6308 C3	NU 308	2x 7308 BG	38	45	32	
40-16										●
50-16										●
65-16										●
80-16	●	● FRAME 3	6309 C3	6309 C3	NU 309	2x 7309 BG	43	53	42	
100-16										●
65-20										●
80-20										●
100-20	●	● FRAME 4	6411 C3	6411 C3	NU 410	2x 7310 BG	53	63	48	
125-20										●
32-26										●
40-26										●
50-26	●	● FRAME 5	6413 C3	6313 C3	NU 411	2x 7311 BG	63	75	60	
65-26										●
80-26										●
40-32										●
50-32	●	● FRAME 5	6413 C3	6313 C3	NU 411	2x 7311 BG	63	75	60	
100-26										●
125-26										●
150-26										●
65-32	●	● FRAME 5	6413 C3	6313 C3	NU 411	2x 7311 BG	63	75	60	
80-32										●
100-32										●
125-32										●
80-40	●	● FRAME 5	6413 C3	6313 C3	NU 411	2x 7311 BG	63	75	60	
100-40										●
125-40										●
200-26										●
150-32	●	● FRAME 5	6413 C3	6313 C3	NU 411	2x 7311 BG	63	75	60	
200-32										●
250-32										●
150-40										●
200-40	●	● FRAME 5	6413 C3	6313 C3	NU 411	2x 7311 BG	63	75	60	
150-50										●
200-50										●
250-40										●
300-40	●	● FRAME 5	6413 C3	6313 C3	NU 411	2x 7311 BG	63	75	60	
250-50										●
300-50	●	● FRAME 5	6413 C3	6313 C3	NU 411	2x 7311 BG	63	75	60	

SECTIONS - Standard Execution



POS	DESCRIPTION	POS	DESCRIPTION	POS	DESCRIPTION
100	CASING	276	SUCTION CONNECTION	533	ANCHOR PIN CIRCLIP
110	LANTERN	277	CONNECTION	540	PIN
112	BEARING HOUSING	430	IMPELLER NUT	700	CASING GASKET
113	FOOT	470	SCREW	730	GASKET
120	SEAL HOUSING	472	SCREW	740	GASKET
150	IMPELLER	473	SCREW	741	GASKET
160	SHAFT	475	SCREW	751	LIP SEAL
180	WEAR RING	476	SCREW	752	LIP SEAL
210	MECHANICAL SEAL FLANGE	477	SCREW	753	GASKET
211	BEARING COVER	481	CONSTANT LEVEL OILIER	754	GASKET
263	CASING DRAIN	483	FILLING OIL PLUG	756	SPLASH GUARD
265	FLUSHING	484	OIL DRAIN	910	BALL BEARING
272	DISCHARGE CONNECTION	500	IMPELLER KEY	911	BALL BEARING
273	CONNECTION	520	COUPLING KEY		

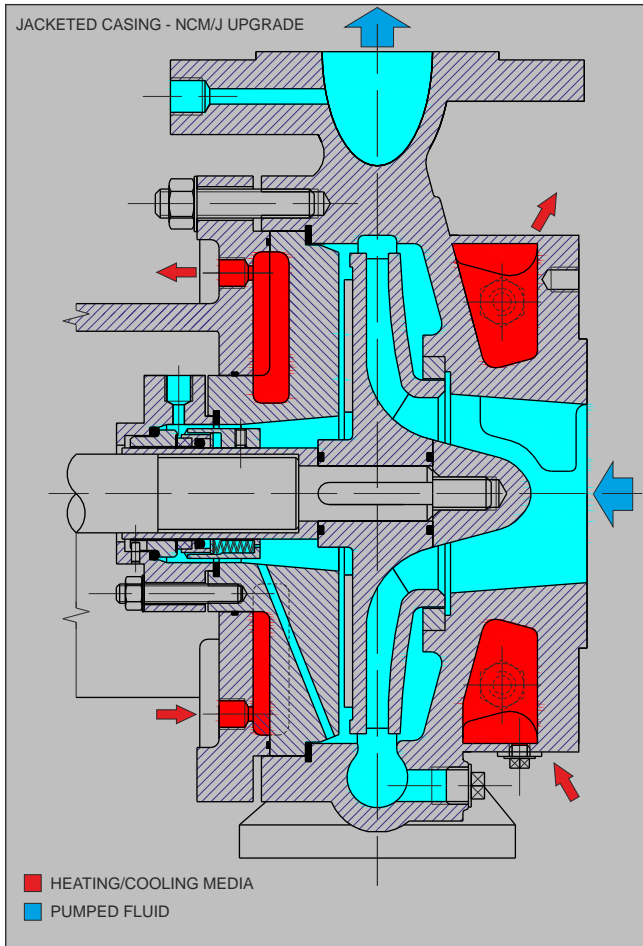
SECTIONS - Upgrades



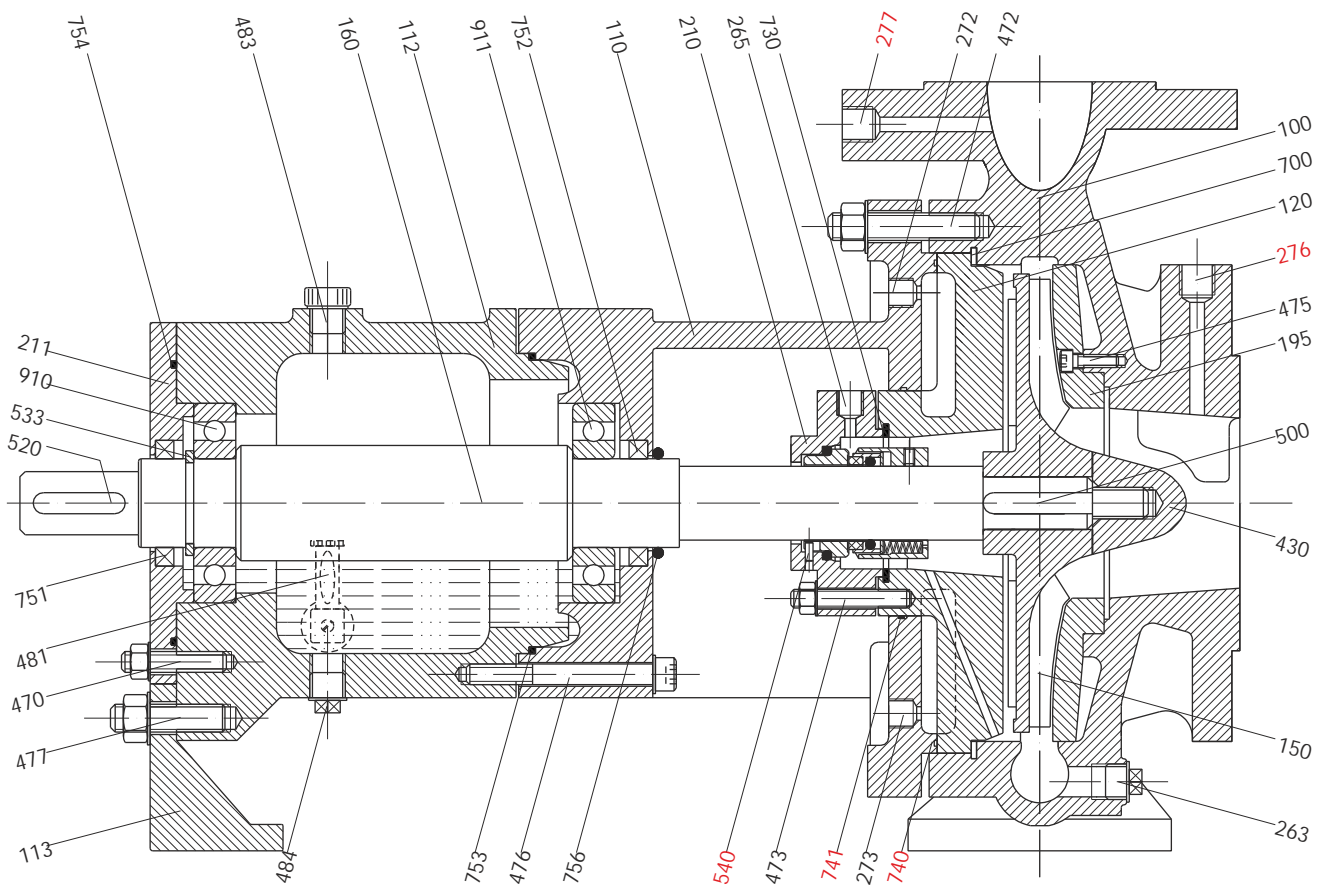
REINFORCED EXECUTION - NCM/R distinctive items indicated in green

SLEEVED SHAFT OPTION - distinctive items indicated in red

POS	DESCRIPTION	POS	DESCRIPTION
100	CASING	481	CONSTANT LEVEL OILIER
110	LANTERN	483	FILLING OIL PLUG
112	BEARING HOUSING	484	OIL DRAIN
113	FOOT	500	IMPELLER KEY
120	SEAL HOUSING	520	COUPLING KEY
150	IMPELLER	532	WASHER
160	SHAFT	533	ANCHOR PIN CIRCLIP
170	SHAFT SLEEVE	535	THREADED RING
180	WEAR RING	540	PIN
210	MECHANICAL SEAL FLANGE	700	CASING GASKET
211	BEARING COVER	710	GASKET
263	CASING DRAIN	720	GASKET
265	FLUSHING	730	GASKET
272	DISCHARGE CONNECTION	740	GASKET
273	CONNECTION	741	GASKET
276	SUCTION CONNECTION	751	LIP SEAL
277	CONNECTION	752	LIP SEAL
430	IMPELLER NUT	753	GASKET
470	SCREW	754	GASKET
472	SCREW	756	SPLASH GUARD
473	SCREW	912	ROLLER BEARING
476	SCREW	921	ANGULAR CONTACT THRUST BEARING
477	SCREW	922	ANGULAR CONTACT THRUST BEARING



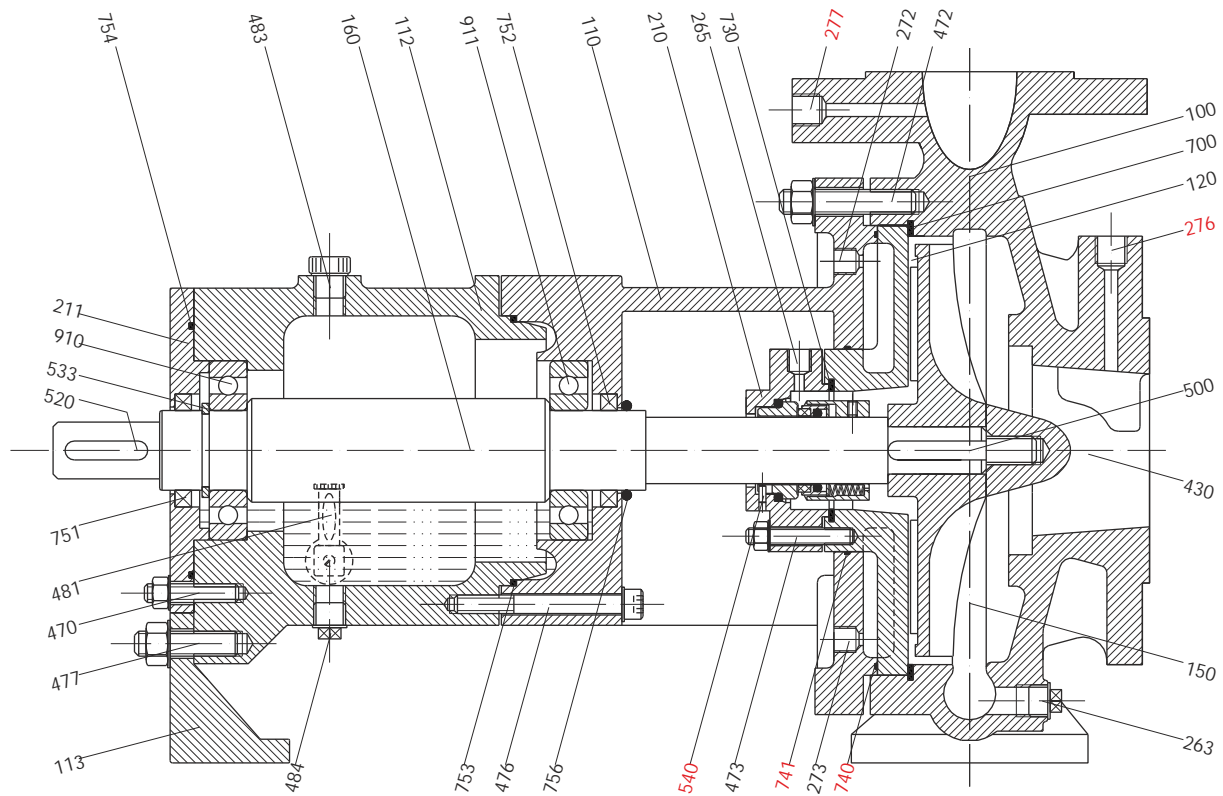
SECTIONS - open impeller (SCM Line)



Open impeller is suitable to convey liquids containing solid suspensions. Accurate construction with wear plate allows great efficiency and low NPSH values.

POS	DESCRIPTION	POS	DESCRIPTION	POS	DESCRIPTION
100	CASING	276	SUCTION CONNECTION	533	ANCHOR PIN CIRCLIP
110	LANTERN	277	CONNECTION	540	PIN
112	BEARING HOUSING	430	IMPELLER NUT	700	CASING GASKET
113	FOOT	470	SCREW	730	GASKET
120	SEAL HOUSING	472	SCREW	740	GASKET
150	IMPELLER	473	SCREW	741	GASKET
160	SHAFT	476	SCREW	751	LIP SEAL
195	WEAR PLATE	477	SCREW	752	LIP SEAL
210	MECHANICAL SEAL FLANGE	481	CONSTANT LEVEL OILIER	753	GASKET
211	BEARING COVER	483	FILLING OIL PLUG	754	GASKET
263	CASING DRAIN	484	OIL DRAIN	756	SPLASH GUARD
265	FLUSHING	500	IMPELLER KEY	910	BALL BEARING
272	DISCHARGE CONNECTION	520	COUPLING KEY	911	BALL BEARING
273	CONNECTION				

SECTIONS - vortex impeller (SCMX Line)



The SCM recessed impeller pump provides low-shear pumping of friable solids and trouble-free pumping of stringy or fibrous slurries. It combines the state-of-the-art hydraulics of the SCM with the vortex action of a recessed impeller.

The SCM has a wide clearance at the front of the semi-open impeller allowing passage of larger particles. Solids are drawn into the vortex of swirling liquid and discharged by centrifugal force through the open area in front of the impeller with little contact, minimizing particle degradation. Furthermore, the air and gas handling capability of the pump is improved.

APPLICATIONS

- Light slurries
- Corrosive/erosive services
- Large diameter solids
- Waste streams
- Shear-sensitive fluids
- Friable solids
- Fibrous materials

POS	DESCRIPTION	POS	DESCRIPTION	POS	DESCRIPTION
100	CASING	276	SUCTION CONNECTION	533	ANCHOR PIN CIRCLIP
110	LANTERN	277	CONNECTION	540	PIN
112	BEARING HOUSING	430	IMPELLER NUT	700	CASING GASKET
113	FOOT	470	SCREW	730	GASKET
120	SEAL HOUSING	472	SCREW	740	GASKET
150	IMPELLER	473	SCREW	741	GASKET
160	SHAFT	476	SCREW	751	LIP SEAL
210	MECHANICAL SEAL FLANGE	477	SCREW	752	LIP SEAL
211	BEARING COVER	481	CONSTANT LEVEL OILIER	753	GASKET
263	CASING DRAIN	483	FILLING OIL PLUG	754	GASKET
265	FLUSHING	484	OIL DRAIN	756	SPLASH GUARD
272	DISCHARGE CONNECTION	500	IMPELLER KEY	910	BALL BEARING
273	CONNECTION	520	COUPLING KEY	911	BALL BEARING

MECHANICAL SEAL SINGLE ARRANGEMENTS

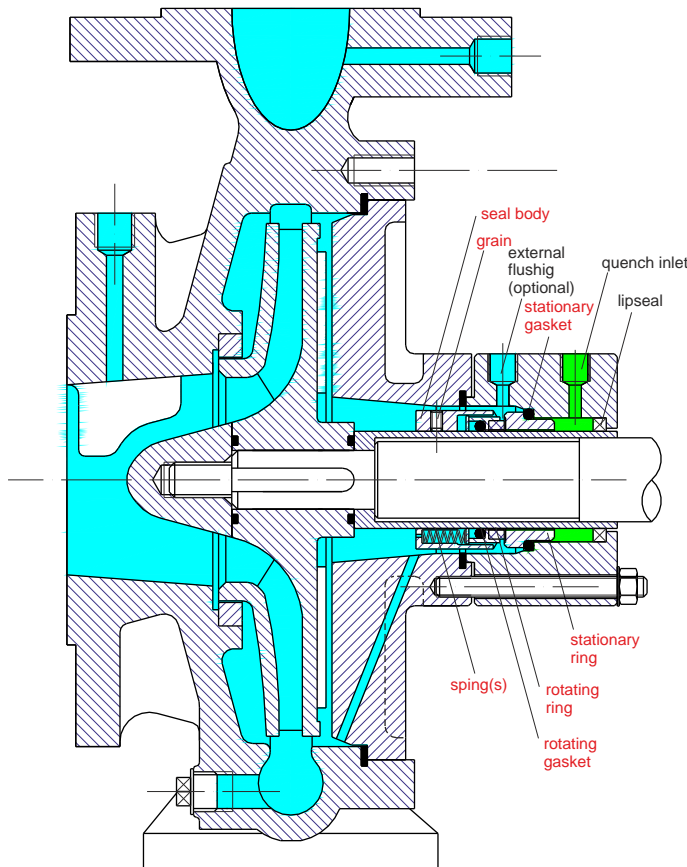
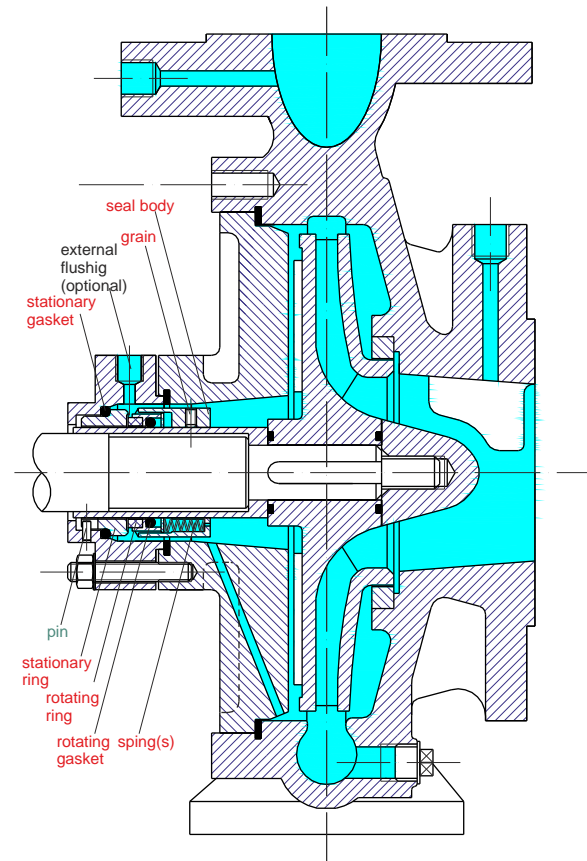
INNER SINGLE SEAL - s type

It is the most familiar layout. The medium is outside the seal and its pressure tends to keep faces closed. Additionally the centrifugal force tends to detain leakage and to pull away solid particles from sliding surfaces and springs. Mechanical seals with springs not in contact with liquid are available as option.



QUENCH - q type

The quench is recommendable when medium forms solid deposits or crystallizes when it comes in contact with the atmosphere or low temperature. Quench is normally applied conveying steam or clean liquid at a pressure not exceeding 1 bar. Quench is helpful to recover occasional leakages, or, in case of under vacuum, to avoid dry-running.

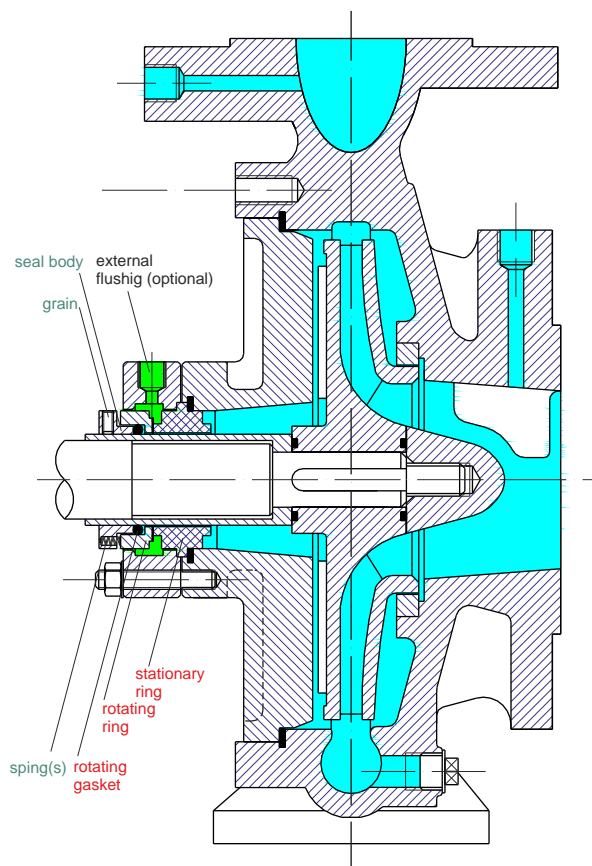


red items are in contact with pumped liquid
green items are not in contact with pumped liquid

■ FLUSHING OR QUENCH
■ PUMPED FLUID

OUTER SINGLE SEAL - e type

The media is inside the seal. The outer seal is generally used to handle corrosive or toxic liquids. Springs and all the metallic parts are not in contact with the pumped fluid.



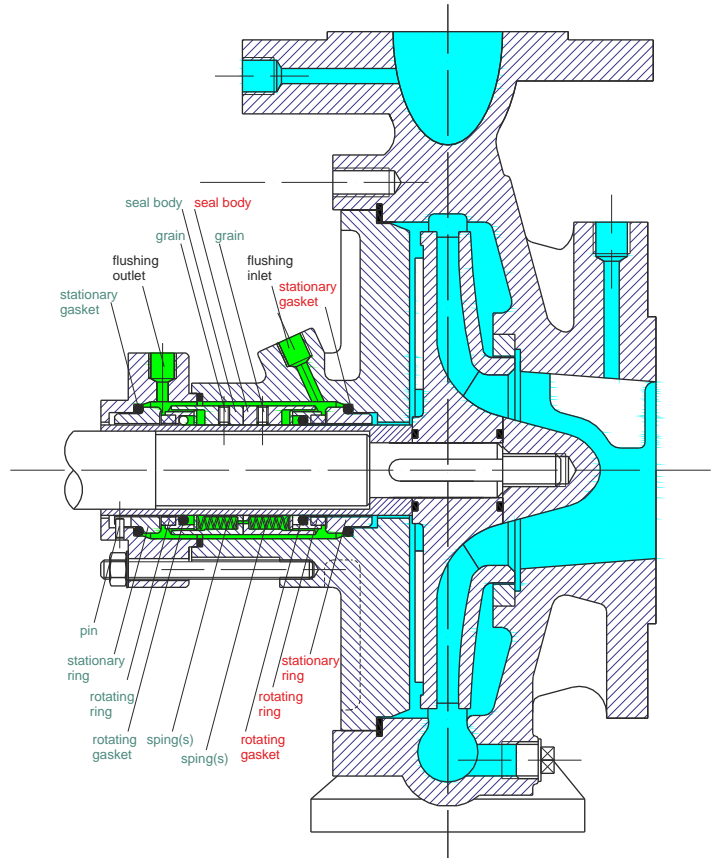
MECHANICAL SEAL DOUBLE ARRANGEMENTS

BACK TO BACK - d type

Double arrangement is used in presence of aggressive, abrasive, polluting, toxic media, etc. It is also recommendable when a neutral lubricant film is required between the sliding faces. To obtain this, a liquid is conveyed between the two seal at a higher pressure than the medium pumped. The flushing liquid has to be compatible with the pumped fluid.

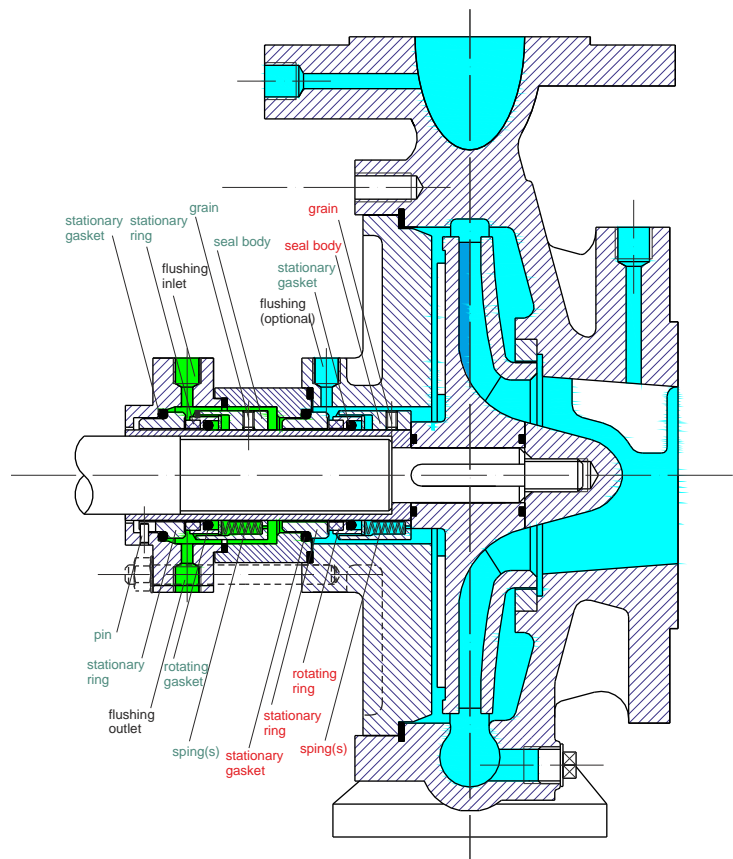
red items are in contact with pumped liquid
green items are not in contact with pumped liquid

- FLUSHING OR QUENCH
- PUMPED FLUID



DOUBLE TANDEM SEAL - t type

The inner seal works like a single seal while the secondary seal is set up for safety to prevent leakages induced from a damage of the principal one.

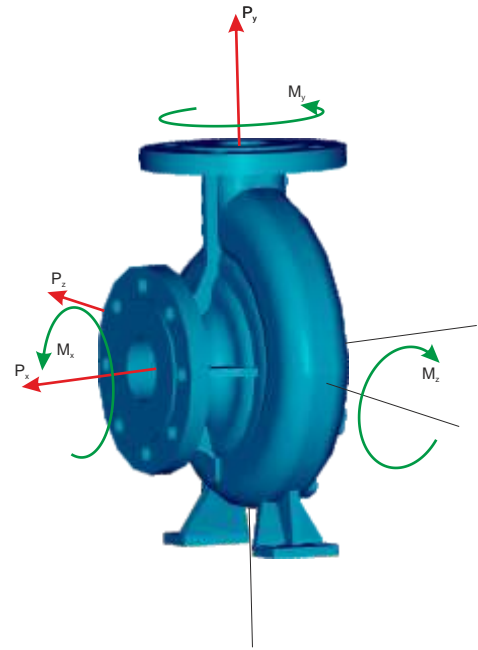


ALLOWABLE FORCES & MOMENTS

Forces and moments acting on the pump flanges due to pipe loads may induce misalignment of pump and driver shafts, deformation and over stressing of pump casing, or over stressing of the fixing bolts between pump and baseplate. Following table values are referred to steel construction, for different materials than steel the corrective factor is given by:

$$K = \frac{E_m(T)}{200}$$

where $E_m(T)$ is Young modulus of the material in GPa at the considered temperature



PUMP SIZE	FORCES [N]							MOMENTS [Nm]					
	suction nozzle			discharge nozzle				suction nozzle			discharge nozzle		
	F _x	F _y	F _z	F _x	F _{y upward}	F _{y downward}	F _z	M _x	M _y	M _z	M _x	M _y	M _z
25-16													
25-20	1050	700	850	500	350	650	450	550	450	300	400	300	200
32-13													
32-16													
32-20	1350	900	1100	700	450	850	550	700	550	350	450	350	250
32-26													
40-13													
40-16													
40-20	1750	1150	1400	850	550	1100	700	1150	850	600	550	450	300
40-26													
40-32													
50-13													
50-16													
50-20	2150	1400	1700	1100	700	1350	900	1450	1100	750	700	550	350
50-26													
50-32													
65-13													
65-16													
65-20	2700	1750	2150	1400	900	1750	1150	2000	1500	1000	1150	850	600
65-26													
65-32													
80-16													
80-20													
80-26	3700	2400	2950	1700	1100	2150	1400	2750	2100	1400	1450	1100	750
80-32													
80-40													
100-16													
100-20	3700	2400	2950	2150	1350	2700	1750	2750	2100	1400	2000	1500	1000
100-32													
100-40													
125-20													
125-26	4700	3100	3750	2950	1850	3700	2400	3450	2650	1750	2750	2100	1400
125-32													
125-40													
150-20													
150-26	7350	4700	5700	3750	2350	4700	3100	5300	3850	2650	3450	2650	1750
150-32													
150-40													
200-26	7350	4700	5700	5700	3550	7350	4700	5300	3850	2650	5300	3850	2650
200-32													
200-40	10000	6700	8000	5700	3550	7350	4700	7500	5700	3650	5300	3850	2650
200-50													
250-32	12000	8000	10000	8000	5000	10000	6700	9150	6900	4500	7500	5700	3650

SPARE PARTS DESIGNATION

CASTINGS

MODEL	CASING POS 100	IMPELLER POS 150	STUFFING BOX POS 110	LANTERN POS 110	WEAR RING POS 180	SEAL FLANGE POS 210	POS 112	BEARING COVER POS. 211	FOOT POS 113				
NCM 20-10	CM2010100	C2010150	C010120	CM010110	C0180	C0210	CM0112	CM0211	CM016113				
NCM 20-13	CM2013100	C2013150	C013120	CM013110					CM016113				
NCM 20-16	CM2016100	C2016150	C016120	CM016110					CM016113				
NCM 20-20	CM2020100	C2020150	C020120	CM020110					CM016113				
NCM 32-13	CM3213100	C3213150	C113120	CM113110	C1180	C1210	CM1112	CM1211	CM1113				
NCM 40-13	CM4013100	C4013150							CM1113				
NCM 50-13	CM5013100	C5013150							CM1113				
NCM 65-13	CM6513100	C6513150							CM120113				
NCM 32-16	CM3216100	C3216150	C116120	CM116110	C1180	C1210	CM1112	CM1211	CM1113				
NCM 40-16	CM4016100	C4016150							CM1113				
NCM 50-16	CM5016100	C5016150							CM120113				
NCM 32-20	CM3220100	C3220150							CM120113				
NCM 40-20	CM4020100	C4020150	C120120	CM120110	C2180	C2210	CM2112	CM2211	CM120113				
NCM 50-20	CM5020100	C5020150							CM120113				
NCM 20-26	CM2026100	C2026150	C126120	CM126110					C2180	C2210	CM2112	CM2211	CM1113
NCM 65-16	CM6516100	C6516150	C216120	C216110									CM2211
NCM 80-16	CM8016100	C8016150			CM2-180								
NCM 100-16	CM10016100	C10016150			CM2113								
NCM 65-20	CM6520100	C6520150	C220120	CM220110	C2180	C2210	CM2112	CM2211	CM2-180				
NCM 80-20	CM8020100	C8020150							CM2-180				
NCM 100-20	CM10020100	C10020150							CM2-3-225-250				
NCM 125-20	CM12520100	C12520150							CM2-3-225-250				
NCM 32-26	CM3226100	C3226150	C226120	CM226110	C2180	C2210	CM2112	CM2211	CM2-180				
NCM 40-26	CM4026100	C4026150							CM2-180				
NCM 50-26	CM5026100	C5026150							CM2-180				
NCM 65-26	CM6526100	C6526150							CM2-3-200-225				
NCM 80-26	CM8026100	C8026150							CM2-3-225-250				
NCM 40-32	CM4032100	C4032150							C232120	CM232110	CM2-3-200-225		
NCM 50-32	CM5032100	C5032150	CM2-3-225-250										
NCM 100-26	CM10026100	C10026150	C326120	CM326110	C3180	C3210	CM3112	CM3211	CM2-3-225-250				
NCM 125-26	CM12526100	C12526150							CM2-3-225-250				
NCM 150-26	CM15026100	C15026150							CM2-3-225-250				
NCM 65-32	CM6532100	C6532150							CM2-3-200-225				
NCM 80-32	CM8032100	C8032150	C332120	CM332110	C3180	C3210	CM3112	CM3211	CM2-3-225-250				
NCM 100-32	CM10032100	C10032150							CM2-3-225-250				
NCM 125-32	CM12532100	C12532150							C3113				
NCM 80-40	CM8040100	C8040150	C340120	CM340110	C3180	C3210	CM3112	CM3211	C3113				
NCM 100-40	CM10040100	C10040150							C3113				
NCM 125-40	CM12540100	C12540150							C3113				
NCM 200-26	CM20026100	C20026150							C426120	CM426110	C4180	C4210	CM4112
NCM 150-32	CM15032100	C15032150	C432120	CM432110	CM4113								
NCM 200-32	CM20032100	C20032150			CM4113								
NCM 250-32	CM25032100	C25032150			CM4113								
NCM 150-40	CM15040100	C15040150	C440120	CM440110	C4180	C4210	CM4112	CM4211	CM4113				
NCM 200-40	CM20040100	C20040150							CM4113				
NCM 150-50	CM15050100	C15050150	C450120	CM450110	C4180	C4210	CM4112	CM4211	CM4113				
NCM 200-50	CM20050100	C20050250							CM4113				
NCM 250-40	CM25040100	C25040150	C540120	CM540110	C5180	C5210	CM5112	CM5211	CM5113				
NCM 300-40	CM30040100	C30040150							CM5113				
NCM 250-50	CM25050100	C25050150							CM5113				
NCM 300-50	CM30050100	C30050150	C550120	CM550110					CM5113				

SPARE PARTS DESIGNATION

SHAFT AND KEYS

MODEL	SOLID SHAFT POS 160	SHAFT R - VERSION POS 160 - OPTIONAL	SHAFT SLEEVE POS 170 - OPTIONAL	IMPELLER KEY POS 500	COUPLING KEY POS 520
NCM 20-10	CM0160	CMR0160	C0170	C0500	A6x6x30 UNI 6605-69
NCM 20-13					
NCM 20-16					
NCM 20-20					
NCM 32-13	CM1160	CMR1160	C1170	C1500	A8x7x35 UNI 6605-69
NCM 40-13					
NCM 50-13					
NCM 65-13					
NCM 32-16					
NCM 40-16					
NCM 50-16					
NCM 32-20					
NCM 40-20					
NCM 50-20					
NCM 20-26					
NCM 65-16					
NCM 80-16					
NCM 100-16					
NCM 65-20					
NCM 80-20					
NCM 100-20					
NCM 125-20	CM2160	CMR2160	C2170	C2500	A10x8x60 UNI 6605-69
NCM 32-26					
NCM 40-26					
NCM 50-26					
NCM 65-26					
NCM 80-26					
NCM 40-32					
NCM 50-32					
NCM 100-26					
NCM 125-26					
NCM 150-26					
NCM 65-32					
NCM 80-32					
NCM 100-32					
NCM 125-32					
NCM 80-40					
NCM 100-40					
NCM 125-40					
NCM 200-26	CM4160	CMR4160	C4170	C4500	A14x9x100 UNI 6605-69
NCM 150-32					
NCM 200-32					
NCM 250-32					
NCM 150-40					
NCM 200-40					
NCM 150-50					
NCM 200-50					
NCM 250-40	CM5160	CMR5160	C5170	C5500	A18x11x140 UNI 6605-69
NCM 300-40					
NCM 250-50					
NCM 300-50					

SPARE PARTS DESIGNATION

GASKETS AND LIPSEALS

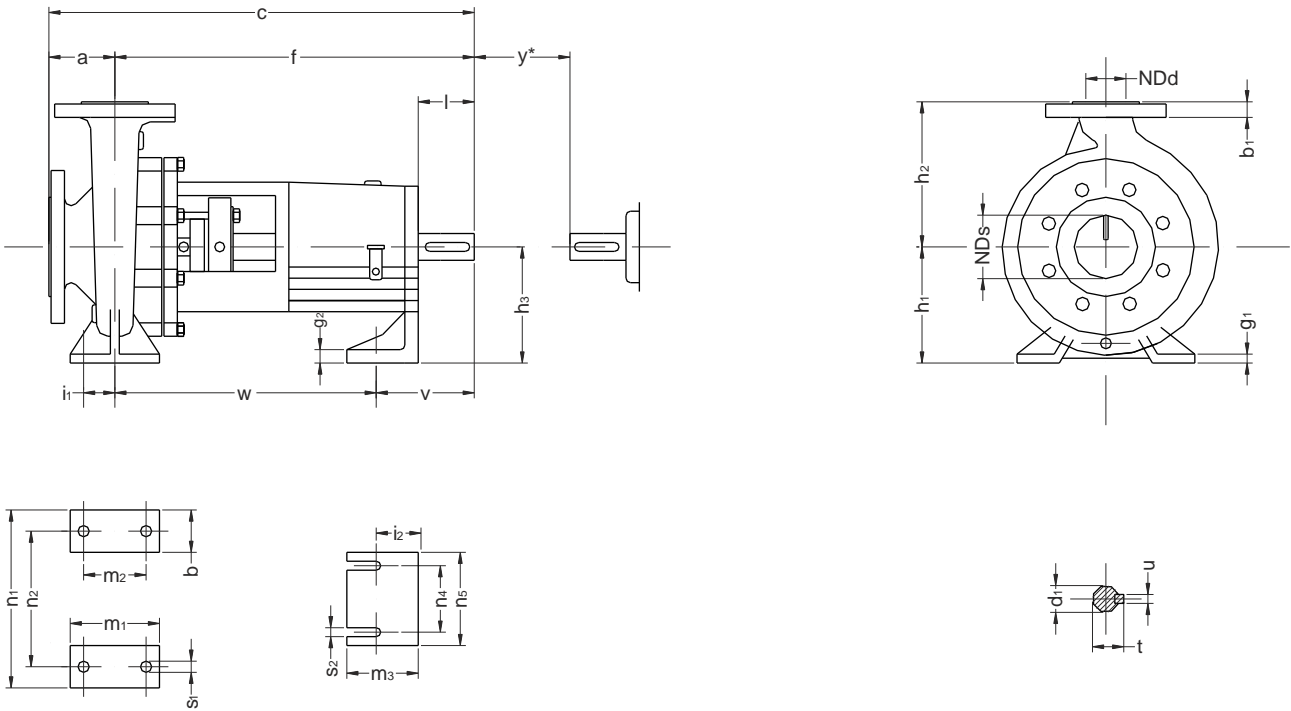
MODEL	CASING GASKET POS 700	FLANGE GASKET POS 730 OPTIONAL	IMPELLER NUT GASKET POS 720 OPTIONAL	SHAFT SEAL GASKET POS 710 OPTIONAL	O'RING POS 756	LANTERN O'RING POS 753	BEARING COVER O'RING POS 754	LIPSEAL POS 752	LIPSEAL POS 751
NCM 20-10	C10700	C0730	C0720	C0710	C0756	OR2325	OR2262	2537/5	2537/5
NCM 20-13	C13700								
NCM 20-16	C16700								
NCM 20-20	C20700	C1730	C1720	C1710	C1756	OR2400	OR2325	3062/7	3062/7
NCM 32-13	C13700								
NCM 40-13	C13700								
NCM 50-13	C13700								
NCM 65-13	C13700								
NCM 32-16	C16700								
NCM 40-16	C16700								
NCM 50-16	C16700								
NCM 32-20	C20700								
NCM 40-20	C20700								
NCM 50-20	C20700	C2730	C2720	C2710	C2756	OR 2500	OR2400	4062/7	4062/7
NCM 20-26	C26700								
NCM 65-16	C16700								
NCM 80-16	C16700								
NCM 100-16	C16700								
NCM 65-20	C20700								
NCM 80-20	C20700								
NCM 100-20	C20700								
NCM 125-20	C20700								
NCM 32-26	C26700								
NCM 40-26	C26700	C3730	C3720	C3710	C3756	C3753	OR 2500	4262/8	4562/8
NCM 50-26	C26700								
NCM 65-26	C26700								
NCM 80-26	C26700								
NCM 40-32	C32700								
NCM 50-32	C32700								
NCM 100-26	C26700								
NCM 125-26	C26700								
NCM 150-26	C26700								
NCM 65-32	C32700								
NCM 80-32	C32700	C4730	C4720	C4710	C4756	C4753	C4754	5072/10	5572/10
NCM 100-32	C32700								
NCM 125-32	C32700								
NCM 80-40	C40700								
NCM 100-40	C40700								
NCM 125-40	C40700								
NCM 200-26	C26700								
NCM 150-32	C32700								
NCM 200-32	C32700								
NCM 250-32	C32700								
NCM 150-40	C40700	C5730	C5720	C5710	C5756	C5753	C5754	C5752	C5751
NCM 200-40	C40700								
NCM 150-50	C50700								
NCM 200-50	C50700								
NCM 250-40	C40700								
NCM 300-40	C40700								
NCM 250-50	C50700								
NCM 300-50	C50700								

SPARE PARTS DESIGNATION

BEARNGS, CIRCLIPS, THREADED RINGS AND WASHERS

MODEL	FRONT BEARING POS 911	REAR BEARING POS 910	RADIAL BEARING POS 912 OPTIONAL	REAR THRUST BEARING POS 921 OPTIONAL	FRONT THRUST BEARING POS 922 OPTIONAL	CIRCLIP POS 533	WASHER POS 532	THREADED RING POS 535
NCM 20-10	6305 C3	6305 C3	NU305	7305B	7305B	25 UNI 7435-75	MB5	KM5
NCM 20-13								
NCM 20-16								
NCM 20-20								
NCM 32-13	6306 C3	6306 C3	NU306	7306B	7306B	30 UNI 7435-75	MB6	KM6
NCM 40-13								
NCM 50-13								
NCM 65-13								
NCM 32-16								
NCM 40-16								
NCM 50-16								
NCM 32-20								
NCM 40-20								
NCM 50-20								
NCM 20-26								
NCM 65-16								
NCM 80-16								
NCM 100-16								
NCM 65-20								
NCM 80-20								
NCM 100-20								
NCM 125-20								
NCM 32-26								
NCM 40-26								
NCM 50-26								
NCM 65-26								
NCM 80-26								
NCM 40-32								
NCM 50-32	6309 C3	6309 C3	NU309	7309B	7309B	45 UNI 7435-75	MB9	MB9
NCM 100-26								
NCM 125-26								
NCM 150-26								
NCM 65-32								
NCM 80-32								
NCM 100-32								
NCM 125-32								
NCM 80-40								
NCM 100-40								
NCM 125-40								
NCM 200-26								
NCM 150-32								
NCM 200-32								
NCM 250-32								
NCM 150-40								
NCM 200-40								
NCM 150-50								
NCM 200-50								
NCM 250-40	6413 C3	6413 C3	NU411	7311B	7311B	55 UNI 7435-75	MB12	KM12
NCM 300-40								
NCM 250-50								
NCM 300-50								

DIMENSIONS

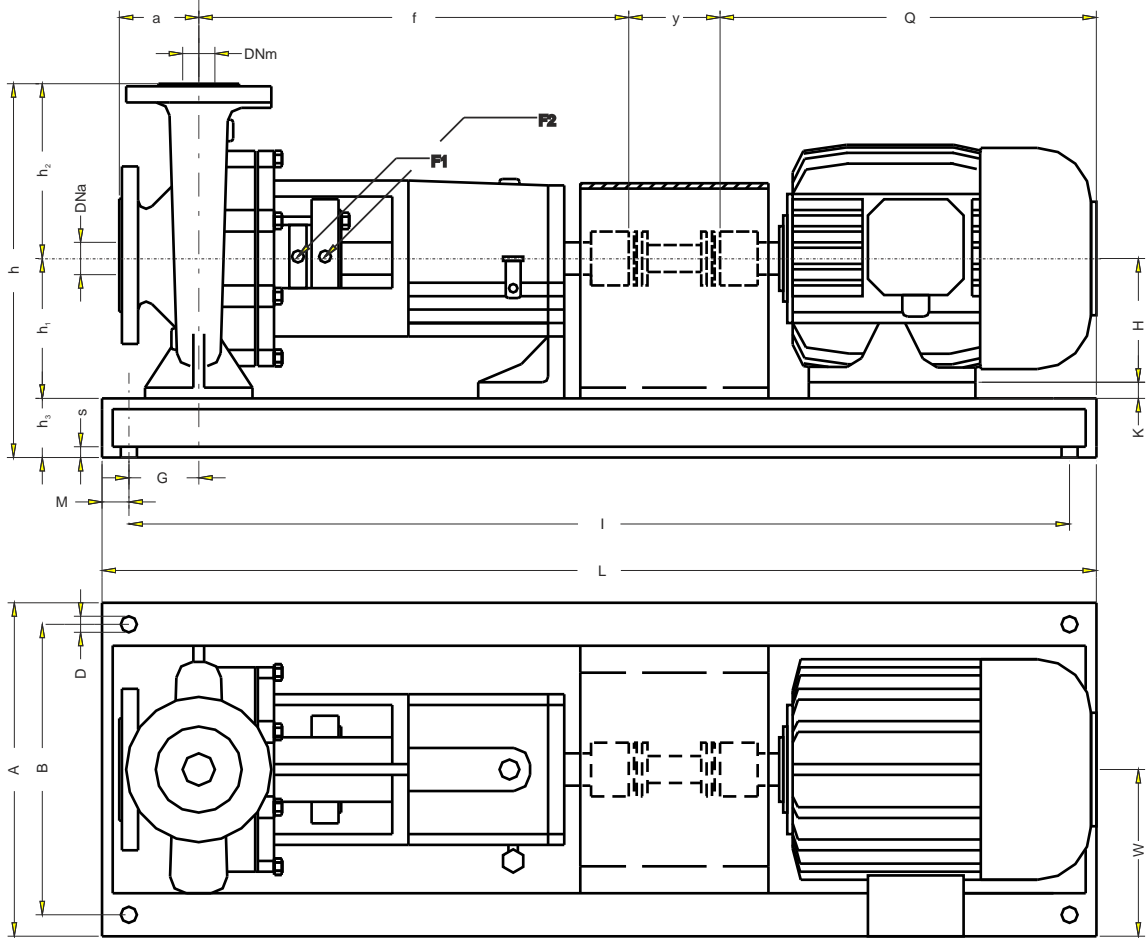


*only when coupling is provided with spacer

PUMP TYPE	B.E.P. (1450 rpm)		B.E.P. (2900 rpm)		FLANGES		dimensions [mm]																				shaft end						
	Q [m³/h]	H [m]	Q [m³/h]	H [m]	suction	delivery	f	a	c	h ₁	h ₂	n ₁	n ₂	b	m ₁	m ₂	s ₁	i ₁	g ₁	n ₄	n ₅	m ₃	s ₂	g ₂	w	v	i ₂	d _{1/k8}	l	t	u	y	
20-13	3.5	5	7	20	25	20	315	60	375	90	120	160	139	35	60	40	10	25	12	90	140	45	10	8	195	80	26	22	48	23.5	6	100	
20-16		8		32	32	20	315	60	375	112	140	160	120	35	60	40	10	25	12	90	140	45	12	8	195	80	26	22	48	23.5	6	100	
20-20		12.5		50	32	20	315	60	375	132	160	220	185	35	60	32	10	25	12	90	140	45	12	8	195	80	26	22	48	23.5	6	100	
20-26		20		80	32	20	385	60	445	160	180	265	140	50	60	40	12	35	14	110	160	45	14	8	285	100	28	24	50	26.9	8	100	
32-13	6.3	5	12.5	20	50	32	385	80	465	112	140	190	140	50	100	70	14	35	12	110	160	45	14	8	285	100	28	24	50	26.9	8	100	
32-16		8		32	32	385	80	465	132	160	240	190	50	100	70	14	35	14	110	160	45	14	8	285	100	28	24	50	26.9	8	100		
32-20		12.5		50	50	32	385	80	465	160	180	240	190	50	100	70	14	35	14	110	160	45	14	8	285	100	28	24	50	26.9	8	100	
32-26		20		80	50	32	500	100	600	180	225	320	250	65	125	95	14	47.5	16	110	160	47	14	8	370	130	30	32	80	35.3	10	100	
40-13	12.5	5	25	20	65	40	385	80	465	112	140	210	160	50	100	70	14	35	14	110	160	45	14	8	285	100	28	24	50	26.9	8	100	
40-16		8		32	65	40	385	80	465	132	160	240	190	50	100	70	14	35	14	110	160	45	14	8	285	100	28	24	50	26.9	8	100	
40-20		12.5		50	65	40	385	100	485	160	180	265	212	50	100	70	14	35	14	110	160	45	14	8	285	100	28	24	50	26.9	8	100	
40-26		20		80	65	40	500	100	600	180	225	320	250	65	125	95	14	47.5	16	110	160	47	14	8	370	130	30	32	80	35.3	10	100	
40-32	32	32	65	40	500	125	625	200	250	345	280	65	125	95	14	47.5	18	110	160	47	14	8	370	130	30	32	80	35.3	10	100			
50-13	25	5	50	20	80	50	385	100	485	132	160	240	190	50	100	70	14	35	14	110	160	45	14	8	285	100	28	24	50	26.9	8	100	
50-16		8		32	80	50	385	100	485	160	180	265	212	50	100	70	14	35	14	110	160	45	14	8	285	100	28	24	50	26.9	8	100	
50-20		12.5		50	80	50	385	100	485	160	200	265	212	50	100	70	14	35	14	110	160	45	14	8	285	100	28	24	50	26.9	8	100	
50-26		20		80	80	50	500	125	625	180	225	320	250	65	125	95	14	47.5	16	110	160	47	14	8	370	130	30	32	80	35.3	10	100	
50-32	32	125	80	50	500	125	625	225	280	345	280	65	125	95	14	47.5	18	110	160	47	14	8	370	130	30	32	80	35.3	10	100			
65-13	50	5	100	20	100	65	385	100	625	160	180	280	212	65	125	95	14	47.5	15	110	160	47	14	8	370	130	30	24	50	26.9	8	100	
65-16		8		32	100	65	500	100	600	160	200	280	212	65	125	95	14	47.5	15	110	160	47	14	8	370	130	30	32	80	35.3	10	100	
65-20		12.5		50	100	65	500	100	600	180	225	320	250	65	125	95	14	47.5	16	110	160	47	14	8	370	130	30	32	80	35.3	10	140	
65-26		20		80	100	65	500	125	625	200	250	360	280	80	160	120	18	60	18	110	160	47	14	8	370	160	30	32	80	35.3	10	140	
65-32	32	125	100	65	530	125	655	225	280	400	315	80	160	120	18	60	18	110	160	52	14	12	370	130	33	42	110	45.1	12	140			
80-16	80	8	160	32	125	80	500	125	625	180	225	320	250	65	125	95	18	47.5	15	110	160	47	14	8	370	130	30	32	80	35.3	10	140	
80-20		12.5		50	125	80	500	125	625	180	250	345	280	65	125	95	18	47.5	16	110	160	47	14	8	370	130	30	32	80	35.3	10	140	
80-26		20		80	125	80	500	125	625	225	280	400	315	80	160	120	18	60	18	110	160	47	14	8	370	160	30	32	80	35.3	10	140	
80-32		32		125	125	80	530	125	655	250	315	400	315	80	160	120	18	60	18	110	160	52	14	12	370	160	33	42	110	45.1	12	140	
80-40	50	-	-	125	80	530	125	655	280	355	435	355	80	160	120	18	60	20	110	160	52	14	12	370	130	33	42	110	45.1	12	140		
100-20	125	12.5	250	50	125	100	500	125	625	200	280	360	280	80	160	120	18	60	16	110	160	47	14	8	370	160	30	32	80	35.3	10	140	
100-26		20		80	125	100	530	140	670	225	280	400	315	80	160	120	18	60	18	110	160	52	14	12	370	160	33	42	110	45.1	12	140	
100-32		32		125	125	100	530	140	670	250	315	400	315	80	160	120	18	60	18	110	160	52	14	12	370	160	33	42	110	45.1	12	140	
100-40		50		-	-	125	100	530	140	670	280	355	500	400	100	200	150	23	75	20	110	160	52	14	12	370	160	33	42	110	45.1	12	140
125-26	200	20	-	-	150	125	530	140	670	250	355	400	110	160	120	18	60	18	110	160	52	14	12	370	160	33	42	110	45.1	12	140		
125-32		32		-	-	150	125	530	140	670	280	355	500	400	100	200	150	23	75	20	140	160	52	18	12	500	160	33	42	110	45.1	12	140
125-40		50		-	-	150	125	530	140	670	315	400	500	400	100	200	150	23	75	20	140	160	52	18	12	500	160	33	42	110	45.1	12	140
150-26		350		20	-	-	200	250	530	160	690	280	375	500	400	100	200	150	23	75	20	140	160	52	18	12	500	170	33	42	110	45.1	12
150-32	32		-	-		200	250	670	160	830	315	450	550	400	100	200	150	23	75	22	140	200	60	18	12	500	170	39	48	110	51.5	14	180
150-40	50		-	-		200	250	670	160	830	315	450	550	450	100	200	150	23	75	22	140	200	60	18	12	500	170	39	48	110	51.5	14	180
150-50	80		-	-		200	250	670	180	850	375	500	550	450	100	200	150	23	75	22	140	200	60	18	12	500	170	39	48	110	51.5	14	180
200-26	600	20	-	-	250	200	670	180	850	355	425	550	450	100	200	150	23	75	22	140	200	60	18	12	500	170	39	48	110	51.5	14	180	
200-32		32		-	-	250	200	670	200	870	355	450	550	450	100	200	150	23	75	22	140	200	60	18	12	500	170	39	48	110	51.5	14	180
200-40		50		-	-	250	200	670	180	850	355	500	550	450	100	200	150	23	75	22	140	200	60	18	12	500	170	39	48	110	51.5	14	180
200-50		80		-	-	250	200	670	200	870	425	560	660	560	100	200	150	23	75	22	140	200	60	18	12	500	170	39	48	110	51.5	14	180
250-32	1100	32	-	-	300	250	670	250	920	400	560	690	560	100	260	190	28	95	26	140	200	60	18	12	500	170	39	48	110	51.5	14	180	
250-40		50		-	-	300	250	720	200	920	425	600	800	670	130	260	190	28	95	26	140	200	60	18	12	515	205	39	60	140	64.2	18	180
250-50		80		-	-	300	250	720	200	920	475	670	800	670	130	260	190	28	95	26	140	200	60	18	12	515	205	39	60	140	64.2	18	

DIMENSIONS

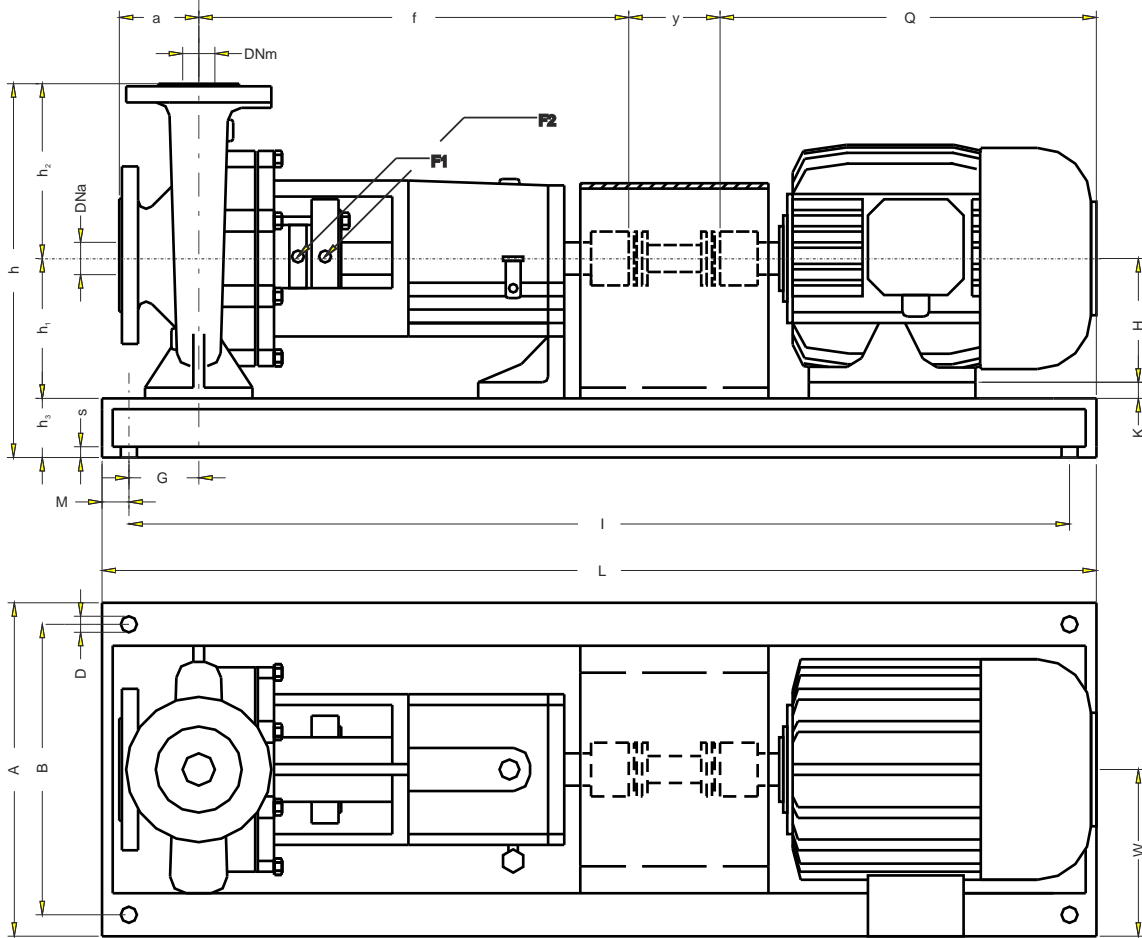
2900 RPM - series 20-xx & series 32-xx



Pump Type	Motor		FLANGES			dimensions [mm]																weight [kg]			
	kW	Size	Dna	DNm	RATING	f	a	h ₁	h ₂	h ₃	h	y	K	H	Q	W	s	A	B	D	I		L	G	M
20-13	0.75	80	32	20	PN 16	315	60	90	120	100	310	100	10	80	285	-	10	300	250	18	580	700	-20	60	45
	1.1	80	32	20	PN 16	315	60	90	120	100	310	100	10	80	285	-	10	300	250	18	580	700	-20	60	46
	1.5	90S	32	20	PN 16	315	60	90	120	100	310	100	0	90	310	-	10	300	250	18	580	700	-20	60	48
20-16	2.2	90L	32	20	PN 16	315	60	90	120	100	310	100	0	90	335	-	10	300	250	18	580	700	-20	60	51
	2.2	90L	32	20	PN 16	315	60	112	140	100	352	100	22	90	335	-	10	300	250	18	580	700	-20	60	60
	3	100L	32	20	PN 16	315	60	112	140	100	352	100	12	100	380	-	10	350	300	18	680	800	-20	60	68
20-20	1.5	90S	32	20	PN 16	315	60	132	160	100	392	100	42	90	310	-	10	350	300	18	580	700	-20	60	66
	2.2	90L	32	20	PN 16	315	60	132	160	100	392	100	42	90	335	-	10	350	300	18	580	700	-20	60	69
	3	100L	32	20	PN 16	315	60	132	160	100	392	100	32	100	380	-	10	350	300	18	680	800	-20	60	77
20-26	4	112M	32	20	PN 16	315	60	132	160	100	392	100	20	112	400	-	10	350	300	18	680	800	-20	60	81
	5.5	132S	32	20	PN 16	315	60	132	160	100	392	100	0	132	475	-	10	400	350	18	680	800	-20	60	91
	2.2	90L	32	20	PN 16	385	80	160	180	100	440	100	70	90	335	-	10	400	350	18	680	800	-20	60	85
20-26	3	100L	32	20	PN 16	385	80	160	180	100	440	100	60	100	380	-	10	400	350	18	780	900	-20	60	93
	4	112M	32	20	PN 16	385	80	160	180	100	440	100	48	112	400	-	10	400	350	18	780	900	-20	60	97
	5.5	132S	32	20	PN 16	385	80	160	180	100	440	100	28	132	475	-	10	400	350	18	780	900	-20	60	107
20-26	7.5	132S	32	20	PN 16	385	80	160	180	100	440	100	28	132	475	-	10	400	350	18	780	900	-20	60	113
	0.75	80	50	32	PN 16	385	80	112	140	100	352	100	32	80	285	-	10	300	250	18	680	800	0	60	71
	1.1	80	50	32	PN 16	385	80	112	140	100	352	100	32	80	285	-	10	300	250	18	680	800	0	60	72
32-13	1.5	90S	50	32	PN 16	385	80	112	140	100	352	100	22	90	310	-	10	300	250	18	680	800	0	60	75
	2.2	90L	50	32	PN 16	385	80	112	140	100	352	100	22	90	335	-	10	300	250	18	680	800	0	60	77
	3	100L	50	32	PN 16	385	80	112	140	100	352	100	12	100	380	-	10	350	300	18	780	900	0	60	85
32-16	1.5	90S	50	32	PN 16	385	80	132	160	100	392	100	42	90	310	-	10	350	300	18	680	800	0	60	80
	2.2	90L	50	32	PN 16	385	80	132	160	100	392	100	42	90	335	-	10	350	300	18	680	800	0	60	82
	3	100L	50	32	PN 16	385	80	132	160	100	392	100	32	100	380	-	10	350	300	18	780	900	0	60	90
32-20	4	112M	50	32	PN 16	385	80	132	160	100	392	100	20	112	400	-	10	350	300	18	780	900	0	60	94
	5.5	132S	50	32	PN 16	385	80	132	160	100	392	100	0	132	475	-	10	400	350	18	780	900	0	60	104
	3	100L	50	32	PN 16	385	80	160	180	100	440	100	60	100	380	-	10	350	300	18	780	900	0	60	99
32-20	4	112M	50	32	PN 16	385	80	160	180	100	440	100	48	112	400	-	10	350	300	18	780	900	0	60	103
	5.5	132S	50	32	PN 16	385	80	160	180	100	440	100	28	132	475	-	10	400	350	18	780	900	0	60	113
	7.5	132S	50	32	PN 16	385	80	160	180	100	440	100	28	132	475	-	10	400	350	18	780	900	0	60	119
32-26	5.5	132S	50	32	PN 16	500	100	180	225	100	505	100	48	132	475	-	10	450	400	18	980	1100	13	60	155
	7.5	132S	50	32	PN 16	500	100	180	225	100	505	100	48	132	475	-	10	450	400	18	980	1100	13	60	161
	11	160M	50	32	PN 16	500	100	180	225	120	525	100	20	160	600	255	10	460	405	18	1080	1200	13	60	248
	15	160M	50	32	PN 16	500	100	180	225	120	525	100	20	160	600	255	10	460	405	18	1080	1200	13	60	258
32-26	18.5	160L	50	32	PN 16	500	100	180	225	120	525	100	20	160	645	255	10	460	405	18	1080	1200	13	60	280

DIMENSIONS

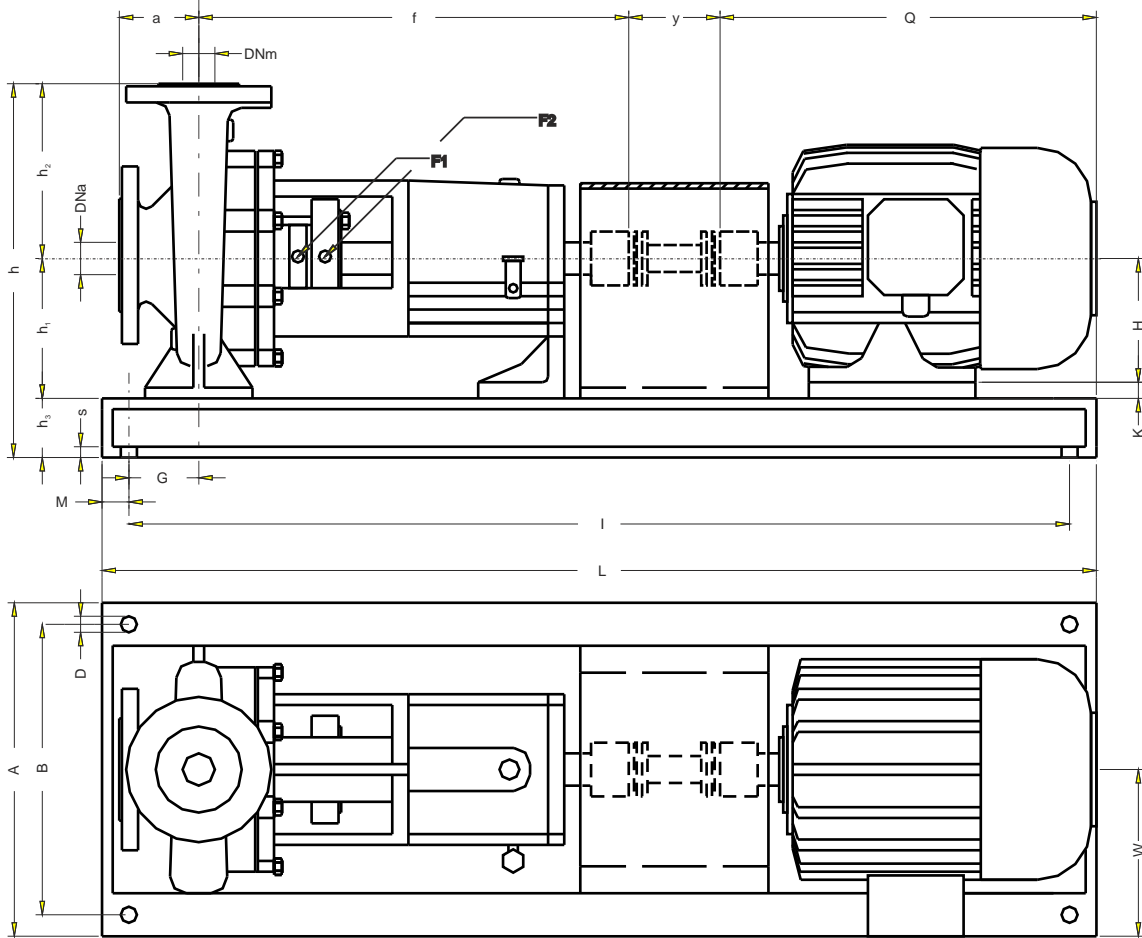
2900 RPM - series 40-xx & series 50-xx



Pump Type	Motor		FLANGES			dimensions [mm]															weight [kg]				
	kW	Size	Dna	DNm	RATING	f	a	h ₁	h ₂	h ₃	h	y	K	H	Q	W	s	A	B	D		I	L	G	M
40-13	1.1	80	65	40	PN 16	385	80	112	140	100	352	100	32	80	285	-	10	350	300	18	680	800	0	60	74
	1.5	90S	65	40	PN 16	385	80	112	140	100	352	100	22	90	310	-	10	350	300	18	680	800	0	60	77
	2.2	90L	65	40	PN 16	385	80	112	140	100	352	100	22	90	335	-	10	350	300	18	680	800	0	60	79
	3	100L	65	40	PN 16	385	80	112	140	100	352	100	12	100	380	-	10	350	300	18	780	900	0	60	87
	4	112M	65	40	PN 16	385	80	112	140	100	352	100	0	112	400	-	10	350	300	18	780	900	0	60	91
40-16	5.5	132S	65	40	PN 16	385	80	132	140	100	372	100	0	132	475	-	10	400	350	18	780	900	0	60	101
	2.2	90L	65	40	PN 16	385	80	132	160	100	392	100	42	90	335	-	10	350	300	18	680	800	0	60	87
	3	100L	65	40	PN 16	385	80	132	160	100	392	100	32	100	380	-	10	350	300	18	780	900	0	60	95
	4	112M	65	40	PN 16	385	80	132	160	100	392	100	20	112	400	-	10	350	300	18	780	900	0	60	99
	5.5	132S	65	40	PN 16	385	80	132	160	100	392	100	0	132	475	-	10	400	350	18	780	900	0	60	109
40-20	7.5	132S	65	40	PN 16	385	80	132	160	100	392	100	0	132	475	-	10	400	350	18	780	900	0	60	115
	4	112M	65	40	PN 16	385	100	160	180	100	440	100	48	112	400	-	10	400	350	18	780	900	0	60	107
	5.5	132S	65	40	PN 16	385	100	160	180	100	440	100	28	132	475	-	10	400	350	18	780	900	0	60	117
	7.5	132S	65	40	PN 16	385	100	160	180	100	440	100	28	132	475	-	10	400	350	18	780	900	0	60	123
	11	160M	65	40	PN 16	385	100	160	180	100	440	100	0	160	600	255	10	450	400	18	980	1100	0	60	206
40-26	7.5	132S	65	40	PN 16	500	100	180	225	100	505	100	48	132	475	-	10	450	400	18	980	1100	13	60	163
	11	160M	65	40	PN 16	500	100	180	225	120	525	100	20	160	600	255	10	460	405	18	1080	1200	13	60	250
	15	160M	65	40	PN 16	500	100	180	225	120	525	100	20	160	600	255	10	460	405	18	1080	1200	13	60	260
	18.5	160L	65	40	PN 16	500	100	180	225	120	525	100	20	160	645	255	10	460	405	18	1080	1200	13	60	282
	22	180M	65	40	PN 16	500	100	180	225	120	525	100	0	180	670	285	10	510	455	18	1080	1200	13	60	310
40-32	15	160M	65	40	PN 16	500	125	200	250	120	570	100	40	160	600	255	10	460	405	18	1080	1200	13	60	272
	18.5	160L	65	40	PN 16	500	125	200	250	120	570	100	40	160	645	255	10	460	405	18	1080	1200	13	60	294
	22	180M	65	40	PN 16	500	125	200	250	120	570	100	20	180	670	285	10	510	455	18	1080	1200	13	60	322
	30	200L	65	40	PN 16	500	125	200	250	120	570	100	0	200	775	310	10	510	455	18	1180	1300	13	60	377
	37	200L	65	40	PN 16	500	125	200	250	120	570	100	0	200	775	310	10	510	455	18	1180	1300	13	60	397
50-13	45	225M	65	40	PN 16	500	125	225	250	120	595	100	0	225	815	345	10	560	505	18	1180	1300	13	60	466
	2.2	90L	80	50	PN 16	385	100	132	140	100	372	100	42	90	335	-	10	350	300	18	680	800	0	60	85
	3	100L	80	50	PN 16	385	100	132	140	100	372	100	32	100	380	-	10	350	300	18	780	900	0	60	93
	4	112M	80	50	PN 16	385	100	132	140	100	372	100	20	112	400	-	10	350	300	18	780	900	0	60	97
	5.5	132S	80	50	PN 16	385	100	132	140	100	372	100	0	132	475	-	10	400	350	18	780	900	0	60	107
50-16	7.5	132S	80	50	PN 16	385	100	132	140	100	372	100	0	132	475	-	10	400	350	18	780	900	0	60	113
	4	112M	80	50	PN 16	385	100	160	180	100	440	100	48	112	400	-	10	400	350	18	780	900	0	60	104
	5.5	132S	80	50	PN 16	385	100	160	180	100	440	100	28	132	475	-	10	400	350	18	780	900	0	60	114
	7.5	132S	80	50	PN 16	385	100	160	180	100	440	100	28	132	475	-	10	400	350	18	780	900	0	60	120
	11	160M	80	50	PN 16	385	100	160	180	100	440	100	0	160	600	255	10	450	400	18	980	1100	0	60	203
50-20	15	160M	80	50	PN 16	385	100	160	180	100	440	100	0	160	600	255	10	450	400	18	980	1100	0	60	213
	7.5	132S	80	50	PN 16	385	100	160	200	100	460	100	28	132	475	-	10	400	350	18	780	900	0	60	126
	11	160M	80	50	PN 16	385	100	160	200	100	460	100	0	160	600	255	10	450	400	18	980	1100	0	60	209
	15	160M	80	50	PN 16	385	100	160	200	100	460	100	0	160	600	255	10	450	400	18	980	1100	0	60	219
	18.5	160L	80	50	PN 16	385	100	160	200	100	460	100	0	160	645	255	10	450	400	18	980	1100	0	60	241
50-26	22	180M	80	50	PN 16	385	100	180	200	100	480	100	0	180	670	285	10	500	450	18	980	1100	0	60	269
	15	160M	80	50	PN 16	500	125	180	225	120	525	100	20	160	600	255	10	460	405	18	1080	1200	13	60	266
	22	180M	80	50	PN 16	500	125	180	225	120	525	100	0	180	670	285	10	510	455	18	1080	1200	13	60	316
	30	200L	80	50	PN 16	500	125	200	225	120	545	100	0	200	775	310	10	510	455	18	1180	1300	13	60	371
	37	200L	80	50	PN 16	500	125	200	225	120	545	100	0	200	775	310	10	510	455	18	1180	1300	13	60	391
50-32	45	225M	80	50	PN 16	500	125	225	280	120	570	100	0	225	815	345	10	560	505	18	1180	1300	13	60	460
	22	180M	80	50	PN 16	500	125	225	280	120	625	100	45	180	670	285	10	510	455	18	1080	1200	13	60	331
	30	200L	80	50	PN 16	500	125	225	280	120	625	100	25	200	775	310	10	510	455	18	1180	1300	13	60	386
	37	200L	80	50	PN 16	500	125	225	280	120	625	100	25	200	775	310	10	510	455	18	1180	1300	13	60	406
	45	225M	80	50	PN 16	500	125	225	280	120	625	100	0	225	815	345	10	560	505	18	1180	1300	13	60	475
55	250M	80	50	PN 16	500	125	250	280	120	650	100	0	250	930	385	10	610	555	18	1280	1400	13	60	562	

DIMENSIONS

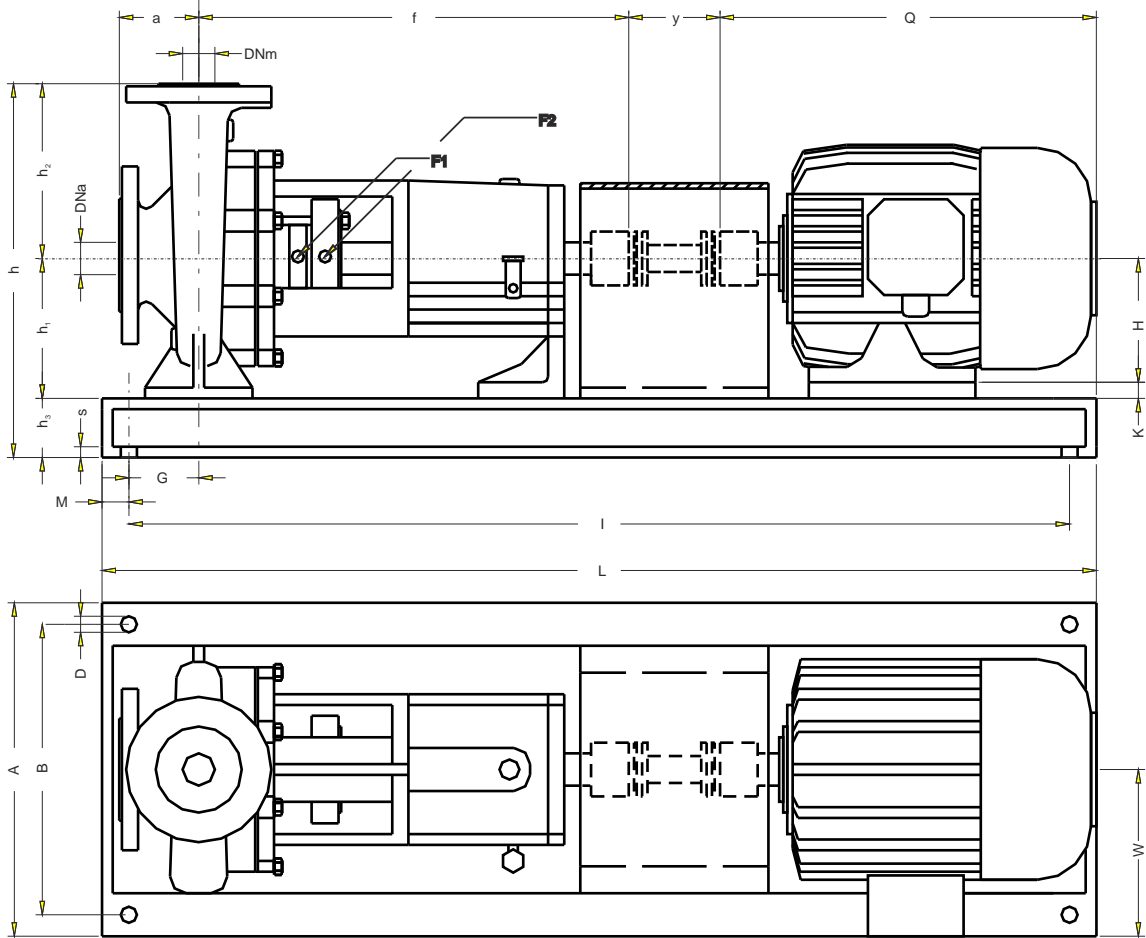
2900 RPM - series 65-xx & series 80-xx



Pump Type	Motor		FLANGES			dimensions [mm]																weight [kg]			
	kW	Size	Dna	DNm	RATING	f	a	h ₁	h ₂	h ₃	h	y	K	H	Q	W	s	A	B	D	I		L	G	M
65-13	5.5	132S	100	65	PN 16	385	100	160	180	100	440	100	28	132	475	-	10	400	350	18	980	1100	13	60	114
	7.5	132S	100	65	PN 16	385	100	160	180	100	440	100	28	132	475	-	10	400	350	18	980	1100	13	60	120
	11	160M	100	65	PN 16	385	100	160	180	120	460	100	0	160	600	255	10	460	405	18	1080	1200	13	60	207
65-16	4	112M	100	65	PN 16	500	100	160	200	100	460	100	48	112	400	-	10	400	350	18	880	1000	13	60	127
	5.5	132S	100	65	PN 16	500	100	160	200	100	460	100	28	132	475	-	10	400	350	18	980	1100	13	60	140
	7.5	132S	100	65	PN 16	500	100	160	200	100	460	100	28	132	475	-	10	400	350	18	980	1100	13	60	146
	11	160M	100	65	PN 16	500	100	160	200	120	480	100	0	160	600	255	10	460	405	18	1080	1200	13	60	233
	15	160M	100	65	PN 16	500	100	160	200	120	480	100	0	160	600	255	10	460	405	18	1080	1200	13	60	243
65-20	18.5	160L	100	65	PN 16	500	100	160	200	120	480	100	0	160	645	255	10	460	405	18	1080	1200	13	60	265
	15	160M	100	65	PN 16	500	100	180	225	120	525	140	20	160	600	255	10	460	405	18	1080	1200	13	60	258
	18.5	160L	100	65	PN 16	500	100	180	225	120	525	140	20	160	645	255	10	460	405	18	1180	1300	13	60	283
	22	180M	100	65	PN 16	500	100	180	225	120	525	140	0	180	670	285	10	510	455	18	1180	1300	13	60	311
	30	200L	100	65	PN 16	500	100	200	225	120	545	140	0	200	775	310	10	510	455	18	1280	1400	13	60	366
65-26	37	200L	100	65	PN 16	500	100	200	225	120	545	140	0	200	775	310	10	510	455	18	1280	1400	13	60	386
	22	180M	100	65	PN 16	500	125	200	250	120	570	140	20	180	670	285	10	510	455	18	1180	1300	30	60	322
	30	200L	100	65	PN 16	500	125	200	250	120	570	140	0	200	775	310	10	510	455	18	1280	1400	30	60	377
	37	200L	100	65	PN 16	500	125	200	250	120	570	140	0	200	775	310	10	510	455	18	1280	1400	30	60	397
	45	225M	100	65	PN 16	500	125	225	250	120	595	140	0	225	815	345	10	560	505	18	1280	1400	30	60	466
65-32	55	250M	100	65	PN 16	500	125	250	250	140	640	140	0	250	930	385	12	620	560	22	1376	1500	30	62	562
	75	280S	100	65	PN 16	500	125	280	250	140	670	140	0	280	1000	410	12	720	660	22	1476	1600	30	62	711
	30	200L	100	65	PN 16	530	125	225	280	120	625	140	25	200	775	310	10	560	505	18	1280	1400	30	60	442
	37	200L	100	65	PN 16	530	125	225	280	120	625	140	25	200	775	310	10	560	505	18	1280	1400	30	60	462
	45	225M	100	65	PN 16	530	125	225	280	120	625	140	0	225	815	345	10	560	505	18	1280	1400	30	60	531
80-16	55	250M	100	65	PN 16	530	125	250	280	140	670	140	0	250	930	385	12	620	560	22	1376	1500	30	62	627
	75	280S	100	65	PN 16	530	125	280	280	140	700	140	0	280	1000	410	12	720	660	22	1476	1600	30	62	776
	90	280M	100	65	PN 16	530	125	280	280	140	700	140	0	280	1050	410	12	720	660	22	1476	1600	30	62	822
	7.5	132S	125	80	PN 16	500	125	180	225	100	505	140	48	132	475	-	10	450	400	18	980	1100	13	60	162
	11	160M	125	80	PN 16	500	125	180	225	120	525	140	20	160	600	255	10	460	405	18	1080	1200	13	60	249
80-20	15	160M	125	80	PN 16	500	125	180	225	120	525	140	20	160	600	255	10	460	405	18	1080	1200	13	60	259
	18.5	160L	125	80	PN 16	500	125	180	225	120	525	140	20	160	645	255	10	460	405	18	1180	1300	13	60	284
	22	180M	125	80	PN 16	500	125	180	225	120	525	140	0	180	670	285	10	510	455	18	1180	1300	13	60	312
	30	200L	125	80	PN 16	500	125	200	225	120	545	140	0	200	775	310	10	510	455	18	1280	1400	13	60	367
	35	160M	125	80	PN 16	500	125	180	250	120	550	140	20	160	600	255	10	460	405	18	1080	1200	13	60	263
80-26	18.5	160L	125	80	PN 16	500	125	180	250	120	550	140	20	160	645	255	10	460	405	18	1180	1300	13	60	288
	22	180M	125	80	PN 16	500	125	180	250	120	550	140	0	180	670	285	10	510	455	18	1180	1300	13	60	316
	30	200L	125	80	PN 16	500	125	200	250	120	570	140	0	200	775	310	10	510	455	18	1280	1400	13	60	371
	37	200L	125	80	PN 16	500	125	200	250	120	570	140	0	200	775	310	10	510	455	18	1280	1400	13	60	391
	45	225M	125	80	PN 16	500	125	225	250	120	595	140	0	225	815	345	10	560	505	18	1280	1400	13	60	460
80-32	22	180M	125	80	PN 16	500	125	225	280	120	625	140	45	180	670	285	10	560	505	18	1180	1300	30	60	340
	30	200L	125	80	PN 16	500	125	225	280	120	625	140	25	200	775	310	10	560	505	18	1280	1400	30	60	395
	37	200L	125	80	PN 16	500	125	225	280	120	625	140	25	200	775	310	10	560	505	18	1280	1400	30	60	415
	45	225M	125	80	PN 16	500	125	225	280	120	625	140	0	225	815	345	10	560	505	18	1280	1400	30	60	484
	55	250M	125	80	PN 16	500	125	250	280	140	670	140	0	250	930	385	12	620	560	22	1376	1500	30	62	580
80-32	75	280S	125	80	PN 16	500	125	280	280	140	700	140	0	280	1000	410	12	720	660	22	1476	1600	30	62	729
	45	225M	125	80	PN 16	530	125	250	315	120	685	140	25	225	815	345	10	560	505	18	1280	1400	30	60	553
	55	250M	125	80	PN 17	530	125	250	315	140	705	140	0	250	930	385	12	620	560	22	1376	1500	30	62	649
	75	280S	125	80	PN 18	530	125	280	315	140	735	140	0	280	1000	410	12	720	660	22	1476	1600	30	62	798
	90	280M	125	80	PN 19	530	125	280	315	160	755	140	0	280	1050	410	12	720	660	22	1676	1800	30	62	851
	110	315S	125	80	PN 20	530	125	315	315	160	790	140	0	315	1190	576	12	770	710	22	1676	1800	30	62	1236
	132	315M1	125	80	PN 21	530	125	315	315	160	790	140	0	315	1240	576	12	770	710	22	1676	1800	30	62	1336

DIMENSIONS

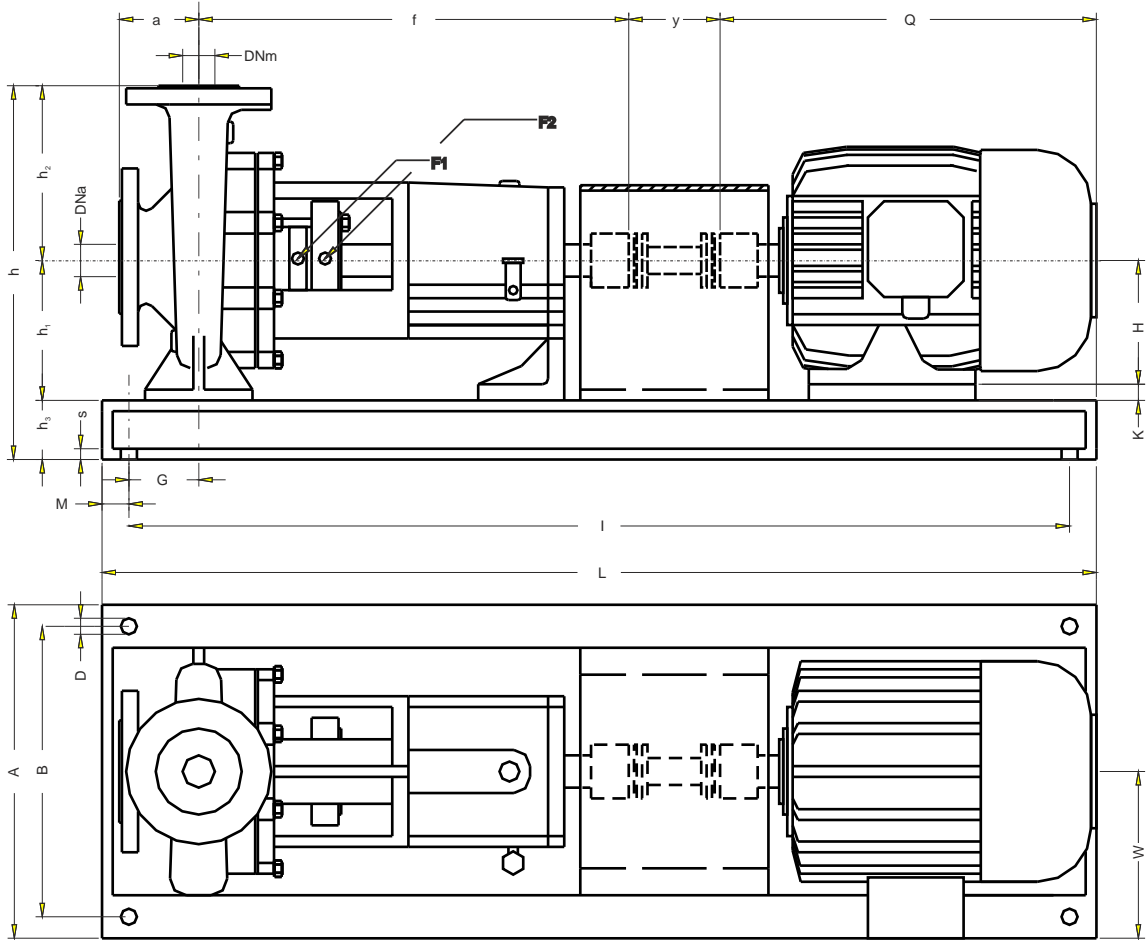
2900 RPM - series 100-xx



Pump Type	Motor		FLANGES			dimensions [mm]																weight [kg]			
	kW	Size	Dna	DNm	RATING	f	a	h ₁	h ₂	h ₃	h	y	K	H	Q	W	s	A	B	D	I		L	G	M
100-20	18.5	160L	125	100	PN 16	500	125	200	280	120	600	140	40	160	645	255	10	510	455	18	1180	1300	30	60	304
	22	180M	125	100	PN 16	500	125	200	280	120	600	140	20	180	670	285	10	510	455	18	1180	1300	30	60	332
	30	200L	125	100	PN 16	500	125	200	280	120	600	140	0	200	775	310	10	510	455	18	1280	1400	30	60	387
	37	200L	125	100	PN 16	500	125	200	280	120	600	140	0	200	775	310	10	510	455	18	1280	1400	30	60	407
	45	225M	125	100	PN 16	500	125	225	280	120	625	140	0	225	815	345	10	560	505	18	1280	1400	30	60	476
	55	250M	125	100	PN 16	500	125	250	280	140	670	140	0	250	930	385	12	620	560	22	1376	1500	30	62	572
	75	280S	125	100	PN 16	500	125	280	280	140	700	140	0	280	1000	410	12	720	660	22	1476	1600	30	62	721
100-26	37	200L	125	100	PN 16	530	140	225	280	120	625	140	25	200	775	310	10	560	505	18	1280	1400	30	60	445
	45	225M	125	100	PN 16	530	140	225	280	120	625	140	0	225	815	345	10	560	505	18	1280	1400	30	60	514
	55	250M	125	100	PN 16	530	140	250	280	140	670	140	0	250	930	385	12	620	560	22	1376	1500	30	62	610
	75	280S	125	100	PN 16	530	140	280	280	140	700	140	0	280	1000	410	12	720	660	22	1476	1600	30	62	759
	90	280M	125	100	PN 16	530	140	280	280	160	720	140	0	280	1050	410	12	720	660	22	1676	1800	30	62	812
	110	315S	125	100	PN 16	530	140	315	280	160	755	140	0	315	1190	576	12	770	710	22	1676	1800	30	62	1197
	132	315M1	125	100	PN 16	530	140	315	280	160	755	140	0	315	1240	576	12	770	710	22	1676	1800	30	62	1297
100-32	45	225M	125	100	PN 16	530	140	250	315	120	685	140	25	225	815	345	10	560	505	18	1280	1400	30	60	562
	55	250M	125	100	PN 16	530	140	250	315	140	705	140	0	250	930	385	12	620	560	22	1376	1500	30	62	658
	75	280S	125	100	PN 16	530	140	280	315	140	735	140	0	280	1000	410	12	720	660	22	1476	1600	30	62	807
	90	280M	125	100	PN 16	530	140	280	315	160	755	140	0	280	1050	410	12	720	660	22	1676	1800	30	62	860
	110	315S	125	100	PN 16	530	140	315	315	160	790	140	0	315	1190	576	12	770	710	22	1676	1800	30	62	1245
	132	315M1	125	100	PN 16	530	140	315	315	160	790	140	0	315	1240	576	12	770	710	22	1676	1800	30	62	1345
	160	315M2	125	100	PN 16	530	140	315	315	160	790	140	0	315	1270	576	12	770	710	22	1676	1800	30	62	1425

DIMENSIONS

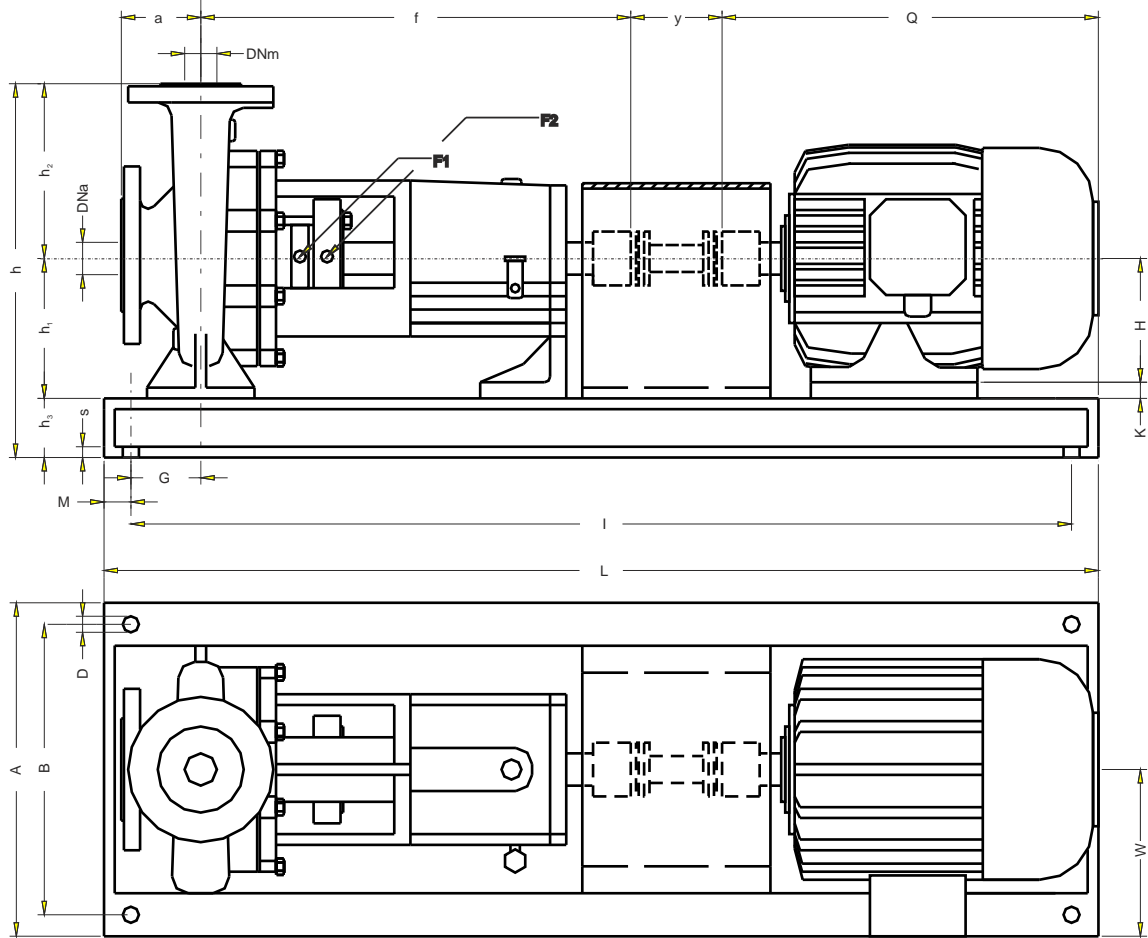
1450 RPM - series 20-xx & series 32-xx



POMPA TIPO	motor		FLANGES			dimensions [mm]																weight [kg]			
	kW	Size	Dna	DNm	RATING	f	a	h ₁	h ₂	h ₃	h	y	K	H	Q	W	s	A	B	D	I		L	G	M
20-20	0.55	80	32	20	PN 16	315	60	132	160	80	372	100	52	80	285	-	10	340	295	18	530	650	-20	60	59
	0.75	80	32	20	PN 16	315	60	132	160	80	372	100	52	80	285	-	10	340	295	18	530	650	-20	60	60
	1.1	90S	32	20	PN 16	315	60	132	160	80	372	100	42	90	310	-	10	340	295	18	530	650	-20	60	63
20-26	0.55	80	32	20	PN 16	385	60	160	180	100	440	100	80	80	285	-	10	400	350	18	580	700	-20	60	77
	0.75	80	32	20	PN 16	385	60	160	180	100	440	100	80	80	285	-	10	400	350	18	580	700	-20	60	78
	1.1	90S	32	20	PN 16	385	60	160	180	100	440	100	70	90	310	-	10	400	350	18	580	700	-20	60	81
32-16	0.55	80	50	32	PN 16	385	80	132	160	100	392	100	52	80	285	-	10	350	300	18	580	700	0	60	74
	0.75	80	50	32	PN 16	385	80	132	160	100	392	100	52	80	285	-	10	350	300	18	580	700	0	60	75
	1.1	90S	50	32	PN 16	385	80	132	160	100	392	100	42	90	310	-	10	350	300	18	580	700	0	60	78
32-20	0.55	80	50	32	PN 16	385	80	160	180	100	440	100	80	80	285	-	10	350	300	18	580	700	0	60	83
	0.75	80	50	32	PN 16	385	80	160	180	100	440	100	80	80	285	-	10	350	300	18	580	700	0	60	84
	1.1	90S	50	32	PN 16	385	80	160	180	100	440	100	70	90	310	-	10	350	300	18	580	700	0	60	87
32-26	0.75	80	50	32	PN 16	500	100	180	225	100	505	100	100	80	285	-	10	450	400	18	680	800	12.5	60	124
	1.1	90S	50	32	PN 16	500	100	180	225	100	505	100	90	90	310	-	10	450	400	18	780	900	12.5	60	129
	1.5	90L	50	32	PN 16	500	100	180	225	100	505	100	90	90	335	-	10	450	400	18	780	900	12.5	60	131
	2.2	100L	50	32	PN 16	500	100	180	225	100	505	100	80	100	380	-	10	450	400	18	780	900	12.5	60	135

DIMENSIONS

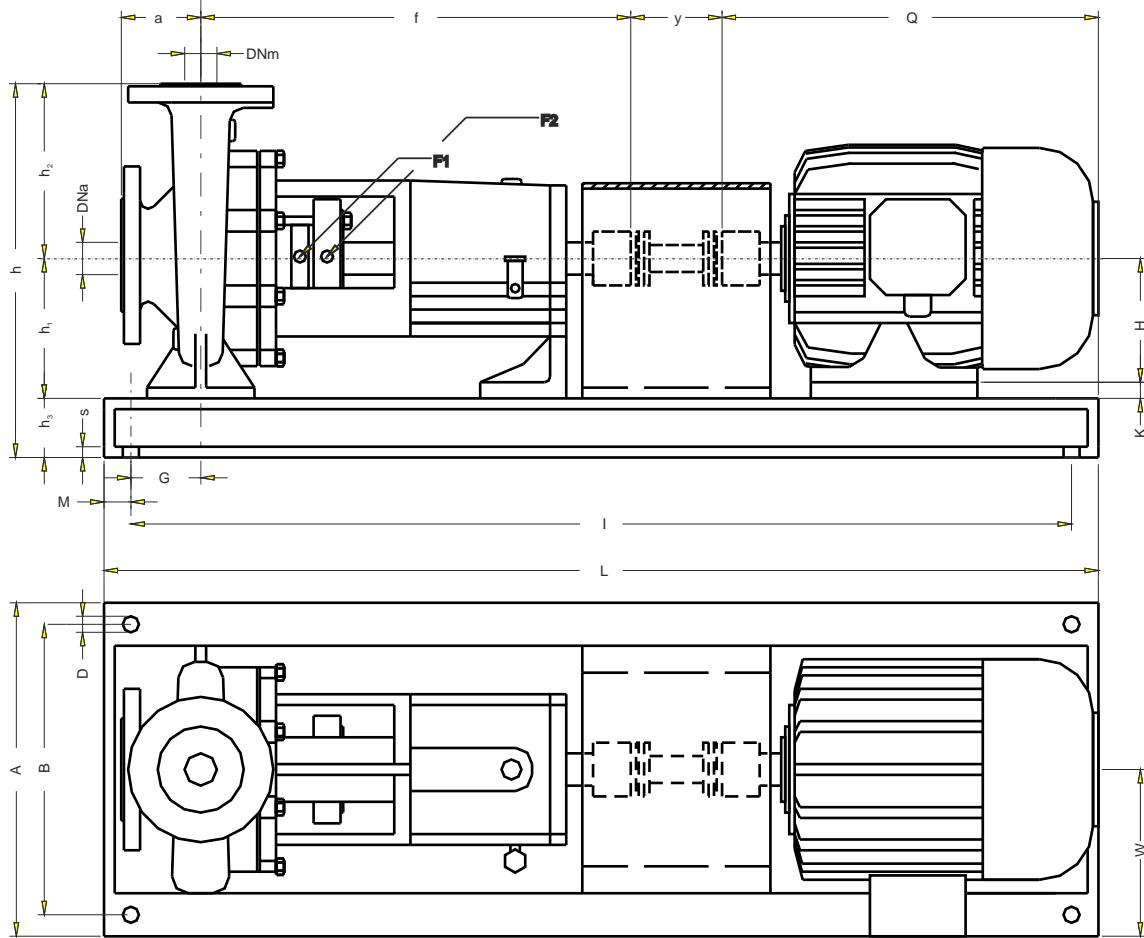
1450 RPM - series 40-xx & series 50-xx



POMPA TIPO	motor		FLANGES			dimensions [mm]																weight [kg]			
	kW	Size	Dna	DNm	RATING	f	a	h ₁	h ₂	h ₃	h	y	K	H	Q	W	s	A	B	D	I		L	G	M
40-16	0.55	80	65	40	PN 16	385	80	132	160	100	392	100	52	80	285	-	10	350	300	18	580	700	0	60	79
	0.75	80	65	40	PN 16	385	80	132	160	100	392	100	52	80	285	-	10	350	300	18	580	700	0	60	80
	1.1	90S	65	40	PN 16	385	80	132	160	100	392	100	42	90	310	-	10	350	300	18	580	700	0	60	83
	1.5	90L	65	40	PN 16	385	80	132	160	100	392	100	42	90	335	-	10	350	300	18	580	700	0	60	85
40-20	0.55	80	65	40	PN 16	385	100	160	180	100	440	100	80	80	285	-	10	400	350	18	580	700	0	60	87
	0.75	80	65	40	PN 16	385	100	160	180	100	440	100	80	80	285	-	10	400	350	18	580	700	0	60	88
	1.1	90S	65	40	PN 16	385	100	160	180	100	440	100	70	90	310	-	10	400	350	18	580	700	0	60	91
	1.5	90L	65	40	PN 16	385	100	160	180	100	440	100	70	90	335	-	10	400	350	18	580	700	0	60	93
40-26	0.75	80	65	40	PN 16	500	100	180	225	100	505	100	100	80	285	-	10	450	400	18	680	800	12.5	60	126
	1.1	90S	65	40	PN 16	500	100	180	225	100	505	100	90	90	310	-	10	450	400	18	780	900	12.5	60	131
	1.5	90L	65	40	PN 16	500	100	180	225	100	505	100	90	90	335	-	10	450	400	18	780	900	12.5	60	133
	2.2	100L	65	40	PN 16	500	100	180	225	100	505	100	80	100	380	-	10	450	400	18	780	900	12.5	60	137
40-32	3	100L	65	40	PN 16	500	100	180	225	100	505	100	80	100	380	-	10	450	400	18	780	900	12.5	60	139
	2.2	100L	65	40	PN 16	500	125	200	250	100	550	100	100	100	380	-	10	450	400	18	780	900	12.5	60	149
	3	100L	65	40	PN 16	500	125	200	250	100	550	100	100	100	380	-	10	450	400	18	780	900	12.5	60	151
	4	112M	65	40	PN 16	500	125	200	250	100	550	100	88	112	400	-	10	450	400	18	780	900	12.5	60	157
50-16	5.5	132S	65	40	PN 16	500	125	200	250	100	505	100	68	132	475	-	10	450	400	18	880	1000	12.5	60	172
	0.75	80	80	50	PN 16	385	100	160	180	100	440	100	80	80	285	-	10	400	350	18	580	700	0	60	85
	1.1	90S	80	50	PN 16	385	100	160	180	100	440	100	70	90	310	-	10	400	350	18	580	700	0	60	88
50-20	1.5	90L	80	50	PN 16	385	100	160	180	100	440	100	70	90	335	-	10	400	350	18	580	700	0	60	90
	2.2	100L	80	50	PN 16	385	100	160	180	100	440	100	60	100	380	-	10	400	350	18	680	800	0	60	97
	0.75	80	80	50	PN 16	385	100	160	200	100	460	100	80	80	285	-	10	400	350	18	580	700	0	60	91
	1.1	90S	80	50	PN 16	385	100	160	200	100	460	100	70	90	310	-	10	400	350	18	580	700	0	60	94
50-26	1.5	90L	80	50	PN 16	385	100	160	200	100	460	100	70	90	335	-	10	400	350	18	580	700	0	60	96
	2.2	100L	80	50	PN 16	385	100	160	200	100	460	100	60	100	380	-	10	400	350	18	680	800	0	60	103
	3	100L	80	50	PN 16	385	100	160	200	100	460	100	60	100	380	-	10	400	350	18	680	800	0	60	105
	2.2	100L	80	50	PN 16	500	125	180	225	100	505	100	80	100	380	-	10	450	400	18	780	900	12.5	60	143
50-32	3	100L	80	50	PN 16	500	125	180	225	100	505	100	80	100	380	-	10	450	400	18	780	900	12.5	60	145
	4	112M	80	50	PN 16	500	125	180	225	100	505	100	68	112	400	-	10	450	400	18	780	900	12.5	60	151
	5.5	132S	80	50	PN 16	500	125	180	225	100	505	100	48	132	475	-	10	450	400	18	880	1000	12.5	60	166
	3	100L	80	50	PN 16	500	125	225	280	100	605	100	125	100	380	-	10	450	400	18	780	900	12.5	60	160
50-32	4	112M	80	50	PN 16	500	125	225	280	100	605	100	113	112	400	-	10	450	400	18	780	900	12.5	60	166
	5.5	132S	80	50	PN 16	500	125	225	280	100	605	100	93	132	475	-	10	450	400	18	880	1000	12.5	60	181
	7.5	132M	80	50	PN 16	500	125	225	280	100	605	100	93	132	515	-	10	450	400	18	880	1000	12.5	60	191
	11	160M	80	50	PN 16	500	125	225	280	100	605	100	65	160	600	255	10	450	400	18	980	1100	12.5	60	268

DIMENSIONS

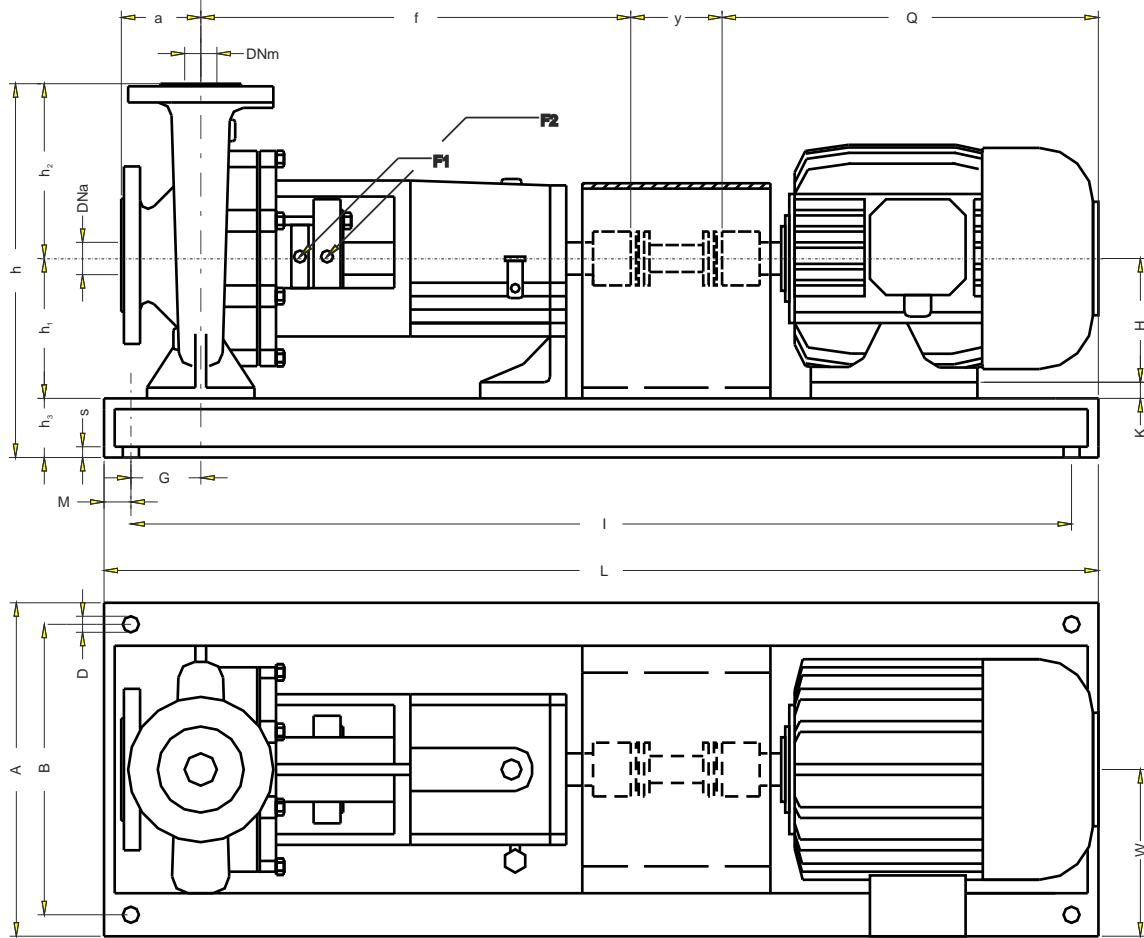
1450 RPM - series 65-xx & series 80-xx



POMPA TIPO	motor		FLANGES			dimensions [mm]															weight [kg]				
	kw	Size	Dna	DNm	RATING	f	a	h ₁	h ₂	h ₃	h	y	K	H	Q	W	s	A	B	D		I	L	G	M
65-16	0.75	80	100	65	PN 16	500	100	160	200	100	460	100	80	80	285	-	10	400	350	14	680	800	12.5	60	109
	1.1	90S	100	65	PN 16	500	100	160	200	100	460	100	70	90	310	-	10	400	350	14	780	900	12.5	60	114
	1.5	90L	100	65	PN 16	500	100	160	200	100	460	100	70	90	335	-	10	400	350	14	780	900	12.5	60	116
	2.2	100L	100	65	PN 16	500	100	160	200	100	460	100	60	100	380	-	10	400	350	14	780	900	12.5	60	120
	3	100L	100	65	PN 16	500	100	160	200	100	460	100	60	100	380	-	10	400	350	14	780	900	12.5	60	122
65-20	1.5	90L	100	65	PN 16	500	100	180	225	100	505	140	90	90	335	-	10	450	400	18	780	900	12.5	60	131
	2.2	100L	100	65	PN 16	500	100	180	225	100	505	140	80	100	380	-	10	450	400	18	780	900	12.5	60	135
	3	100L	100	65	PN 16	500	100	180	225	100	505	140	80	100	380	-	10	450	400	18	780	900	12.5	60	137
	4	112M	100	65	PN 16	500	100	180	225	100	505	140	68	112	400	-	10	450	400	18	780	900	12.5	60	143
	5.5	132S	100	65	PN 17	500	100	180	225	100	505	141	48	132	475	-	10	450	400	18	880	1000	12.5	60	159
65-26	4	112M	100	65	PN 16	500	125	200	250	100	550	140	88	112	400	-	10	500	450	18	880	1000	30	60	157
	5.5	132S	100	65	PN 16	500	125	200	250	100	550	140	68	132	475	-	10	500	450	18	980	1100	30	60	172
	7.5	132M	100	65	PN 16	500	125	200	250	100	550	140	68	132	515	-	10	500	450	18	980	1100	30	60	182
	11	160M	100	65	PN 16	500	125	200	250	100	550	140	40	160	600	255	10	500	450	18	980	1100	30	60	256
	5.5	132S	100	65	PN 16	530	125	225	280	100	605	140	93	132	475	-	10	550	500	22	880	1000	30	60	234
65-32	7.5	132M	100	65	PN 16	530	125	225	280	100	605	140	93	132	515	-	10	550	500	22	880	1000	30	60	244
	11	160M	100	65	PN 16	530	125	225	280	100	605	140	65	160	600	255	10	550	500	22	980	1100	30	60	321
	15	160L	100	65	PN 16	530	125	225	280	120	625	140	65	160	645	255	10	560	505	22	1080	1200	30	60	353
80-16	1.1	90S	125	80	PN 16	500	125	180	225	100	505	140	90	90	310	-	10	450	400	18	780	900	12.5	60	130
	1.5	90L	125	80	PN 16	500	125	180	225	100	505	140	90	90	335	-	10	450	400	18	780	900	12.5	60	132
	2.2	100L	125	80	PN 16	500	125	180	225	100	505	140	80	100	380	-	10	450	400	18	780	900	12.5	60	136
	3	100L	125	80	PN 16	500	125	180	225	100	505	140	80	100	380	-	10	450	400	18	780	900	12.5	60	138
	4	112M	125	80	PN 16	500	125	180	225	100	505	140	68	112	400	-	10	450	400	18	780	900	12.5	60	144
80-20	2.2	100L	125	80	PN 16	500	125	180	250	100	530	140	80	100	380	-	10	450	400	18	780	900	12.5	60	140
	3	100L	125	80	PN 16	500	125	180	250	100	530	140	80	100	380	-	10	450	400	18	780	900	12.5	60	142
	4	112M	125	80	PN 16	500	125	180	250	100	530	140	68	112	400	-	10	450	400	18	780	900	12.5	60	148
	5.5	132S	125	80	PN 16	500	125	180	250	100	530	140	48	132	475	-	10	450	400	18	880	1000	12.5	60	163
	7.5	132M	125	80	PN 16	500	125	180	250	100	530	140	48	132	515	-	10	450	400	18	880	1000	12.5	60	173
80-26	7.5	132M	125	80	PN 16	500	125	225	280	100	605	140	93	132	515	-	10	550	500	22	980	1100	30	60	200
	11	160M	125	80	PN 16	500	125	225	280	100	605	140	65	160	600	255	10	550	500	22	980	1100	30	60	274
	15	160L	125	80	PN 16	500	125	225	280	120	625	140	65	160	645	255	10	560	505	22	1080	1200	30	60	306
80-32	11	160M	125	80	PN 16	530	125	250	315	100	665	140	90	160	600	255	10	550	500	22	980	1100	30	60	343
	15	160L	125	80	PN 16	530	125	250	315	120	685	140	90	160	645	255	10	560	505	22	1080	1200	30	60	375
	18.5	180M	125	80	PN 16	530	125	250	315	120	685	140	70	180	670	285	10	560	505	22	1080	1200	30	60	401
80-40	11	160M	125	80	PN 16	530	125	280	355	100	735	140	120	160	600	255	10	550	500	22	980	1100	30	60	360
	15	160L	125	80	PN 16	530	125	280	355	120	755	140	120	160	645	255	10	560	505	22	1080	1200	30	60	392
	18.5	180M	125	80	PN 16	530	125	280	355	120	755	140	100	180	670	285	10	560	505	22	1080	1200	30	60	418
	22	180L	125	80	PN 16	530	125	280	355	120	755	140	100	180	710	285	10	560	505	22	1080	1200	30	60	442
	30	200L	125	80	PN 16	530	125	280	355	120	755	140	80	200	775	310	10	560	505	22	1080	1200	30	60	500

DIMENSIONS

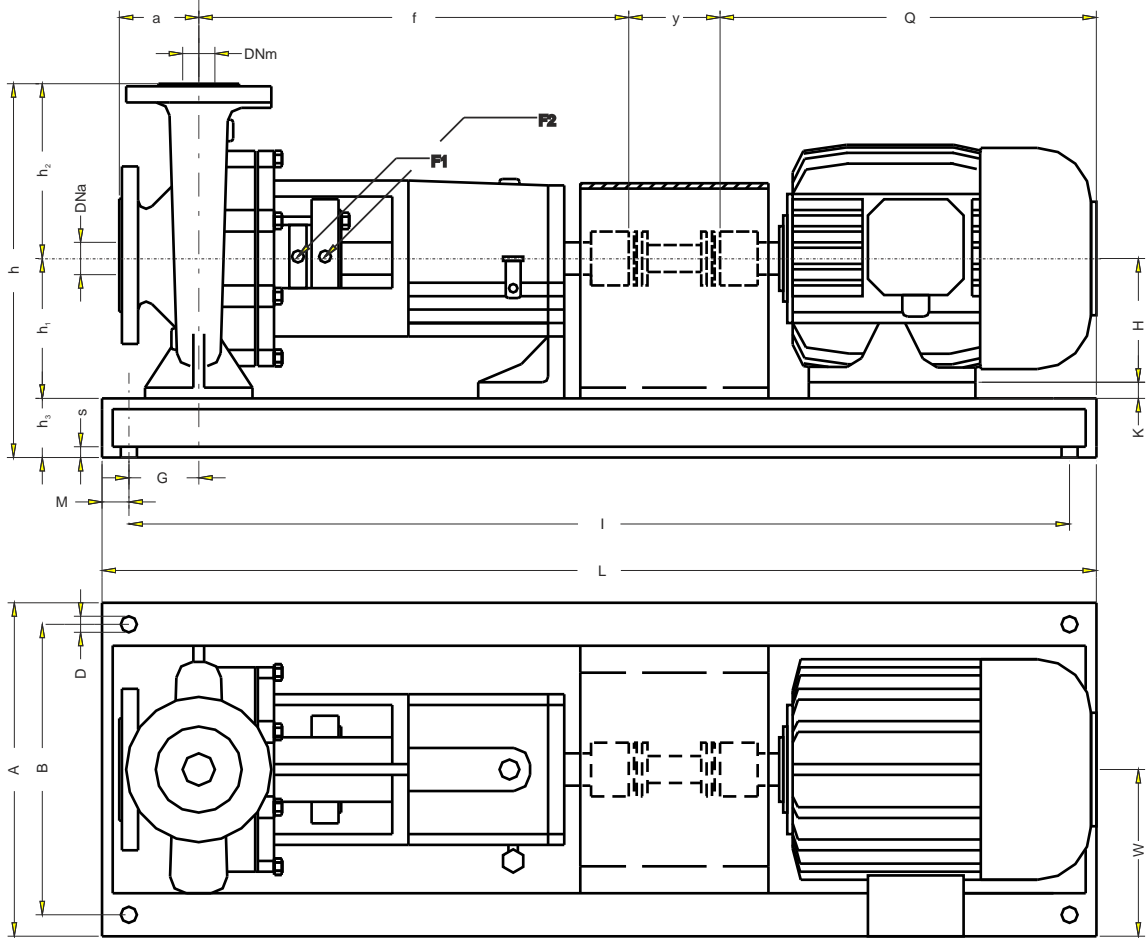
1450 RPM - series 100-xx & series 125-xx



POMPA TIPO	motor		FLANGES			dimensions [mm]																weight [kg]			
	kw	Size	Dna	DNm	RATING	f	a	h ₁	h ₂	h ₃	h	y	K	H	Q	W	s	A	B	D	I		L	G	M
100-20	2.2	100L	125	100	PN 16	500	125	200	280	100	580	140	100	100	380	-	10	500	450	18	880	1000	30	60	159
	3	100L	125	100	PN 16	500	125	200	280	100	580	140	100	100	380	-	10	500	450	18	880	1000	30	60	161
	4	112M	125	100	PN 16	500	125	200	280	100	580	140	88	112	400	-	10	500	450	18	880	1000	30	60	167
	5.5	132S	125	100	PN 16	500	125	200	280	100	580	140	68	132	475	-	10	500	450	18	980	1100	30	60	182
	7.5	132M	125	100	PN 16	500	125	200	280	100	580	140	68	132	515	-	10	500	450	18	980	1100	30	60	192
100-26	11	160M	125	100	PN 16	500	125	200	280	100	580	140	40	160	600	255	10	500	450	18	980	1100	30	60	266
	5.5	132S	125	100	PN 16	530	140	225	280	100	605	140	93	132	475	-	10	550	500	22	980	1100	30	60	220
	7.5	132M	125	100	PN 16	530	140	225	280	100	605	140	93	132	515	-	10	550	500	22	980	1100	30	60	230
	11	160M	125	100	PN 16	530	140	225	280	100	605	140	65	160	600	255	10	550	500	22	980	1100	30	60	304
	15	160L	125	100	PN 16	530	140	225	280	100	605	140	65	160	645	255	10	560	505	22	1080	1200	30	60	336
100-32	11	160M	125	100	PN 16	530	140	250	315	100	665	140	90	160	600	255	10	550	500	22	980	1100	30	60	352
	15	160L	125	100	PN 16	530	140	250	315	120	685	140	90	160	645	255	10	560	505	22	1080	1200	30	60	384
	18.5	180M	125	100	PN 16	530	140	250	315	120	685	140	70	180	670	285	10	560	505	22	1080	1200	30	60	410
	22	180L	125	100	PN 16	530	140	250	315	120	685	140	70	180	710	285	10	560	505	22	1080	1200	30	60	434
	30	200L	125	100	PN 16	530	140	250	315	120	685	140	50	200	775	310	10	560	505	22	1180	1300	30	60	495
100-40	18.5	180M	125	100	PN 16	530	140	280	355	120	755	140	100	180	670	285	10	660	605	22	1080	1200	50	60	433
	22	180L	125	100	PN 16	530	140	280	355	120	755	140	100	180	710	285	10	660	605	22	1080	1200	50	60	457
	30	200L	125	100	PN 16	530	140	280	355	120	755	140	80	200	775	310	10	660	605	22	1180	1300	50	60	518
	37	225S	125	100	PN 16	530	140	280	355	120	755	140	55	225	820	345	10	660	605	22	1180	1300	50	60	568
	45	225M	125	100	PN 16	530	140	280	355	120	755	140	55	225	845	345	10	660	605	22	1180	1300	50	60	596
125-26	7.5	132M	150	125	PN 16	530	140	250	355	100	705	140	118	132	515	-	10	550	500	22	980	1100	30	60	243
	11	160M	150	125	PN 16	530	140	250	355	100	705	140	90	160	600	255	10	550	500	22	980	1100	30	60	317
	15	160L	150	125	PN 16	530	140	250	355	120	725	140	90	160	645	255	10	560	505	22	1080	1200	30	60	349
	18.5	180M	150	125	PN 16	530	140	250	355	120	725	140	70	180	670	285	10	560	505	22	1080	1200	30	60	375
	22	180L	150	125	PN 16	530	140	250	355	120	725	140	70	180	710	285	10	560	505	22	1080	1200	30	60	399
125-32	11	160M	150	125	PN 16	530	140	280	355	120	755	140	120	160	600	255	10	660	605	22	1180	1300	50	60	389
	15	160L	150	125	PN 16	530	140	280	355	120	755	140	120	160	645	255	10	660	605	22	1180	1300	50	60	412
	18.5	180M	150	125	PN 16	530	140	280	355	120	755	140	100	180	670	285	10	660	605	22	1180	1300	50	60	438
	22	180L	150	125	PN 16	530	140	280	355	120	755	140	100	180	710	285	10	660	605	22	1280	1400	50	60	465
	30	200L	150	125	PN 16	530	140	280	355	120	755	140	80	200	775	310	10	660	605	22	1280	1400	50	60	523
125-40	37	225S	150	125	PN 16	530	140	280	355	140	775	140	55	225	820	345	12	670	610	22	1376	1500	50	62	585
	22	180L	150	125	PN 16	530	140	315	400	120	835	140	135	180	710	285	10	660	605	22	1280	1400	50	60	480
	30	200L	150	125	PN 16	530	140	315	400	120	835	140	115	200	775	310	10	660	605	22	1280	1400	50	60	538
	37	225S	150	125	PN 16	530	140	315	400	140	855	140	90	225	820	345	12	670	610	22	1376	1500	50	62	600
	45	225M	150	125	PN 16	530	140	315	400	140	855	140	90	225	845	345	12	670	610	22	1376	1500	50	62	628
	55	250M	150	125	PN 16	530	140	315	400	140	855	140	65	250	930	385	12	670	610	22	1376	1500	50	62	695
	75	280S	150	125	PN 16	530	140	315	400	140	855	140	35	280	1000	410	12	720	660	22	1476	1600	50	62	858

DIMENSIONS

1450 RPM - series 150-xx & series 200-xx



POMPA TIPO	motor		FLANGES			dimensions [mm]																weight [kg]			
	kw	Size	Dna	DNm	RATING	f	a	h ₁	h ₂	h ₃	h	y	K	H	Q	W	s	A	B	D	I		L	G	M
150-26	11	160M	200	150	PN 16	530	160	280	375	120	775	180	120	160	600	255	10	660	605	22	1180	1300	50	60	352
	15	160L	200	150	PN 16	530	160	280	375	120	775	180	120	160	645	255	10	660	605	22	1180	1300	50	60	375
	18.5	180M	200	150	PN 16	530	160	280	375	120	775	180	100	180	670	285	10	660	605	22	1280	1400	50	60	404
	22	180L	200	150	PN 16	530	160	280	375	120	775	180	100	180	710	285	10	660	605	22	1280	1400	50	60	428
	30	200L	200	150	PN 16	530	160	280	375	120	775	180	80	200	775	310	10	660	605	22	1280	1400	50	60	486
150-32	37	225S	200	150	PN 16	530	160	280	375	140	795	180	55	225	820	345	12	670	610	22	1376	1500	50	62	548
	18.5	180M	200	150	PN 16	670	160	315	400	120	835	180	135	180	670	285	10	710	655	22	1280	1400	50	60	480
	22	180L	200	150	PN 16	670	160	315	400	120	835	180	135	180	710	285	10	710	655	22	1280	1400	50	60	504
	30	200L	200	150	PN 16	670	160	315	400	120	835	180	115	200	775	310	10	710	655	22	1280	1400	50	60	562
	37	225S	200	150	PN 16	670	160	315	400	140	855	180	90	225	820	345	12	720	660	22	1376	1500	50	62	624
150-40	45	225M	200	150	PN 16	670	160	315	400	140	855	180	90	225	845	345	12	720	660	22	1376	1500	50	62	652
	55	250M	200	150	PN 16	670	160	315	400	140	855	180	65	250	930	385	12	720	660	22	1476	1600	50	62	722
	30	200L	200	150	PN 16	670	160	315	450	120	885	180	115	200	775	310	10	710	655	22	1280	1400	50	60	640
	37	225S	200	150	PN 16	670	160	315	450	140	905	180	90	225	820	345	12	720	660	22	1376	1500	50	62	702
	45	225M	200	150	PN 16	670	160	315	450	140	905	180	90	225	845	345	12	720	660	22	1376	1500	50	62	730
200-26	55	250M	200	150	PN 16	670	160	315	450	140	905	180	65	250	930	385	12	720	660	22	1476	1600	50	62	800
	75	280S	200	150	PN 16	670	160	315	450	140	905	180	35	280	1000	410	12	720	660	22	1476	1600	50	62	960
	90	280M	200	150	PN 16	670	160	315	450	160	925	180	35	280	1050	410	12	730	665	22	1676	1800	50	62	1079
	110	315S	200	150	PN 16	670	160	315	450	160	925	180	0	315	1220	576	12	780	715	22	1676	1800	50	62	1419
	11	160M	250	200	PN 16	670	180	355	425	120	900	180	195	160	600	255	10	710	655	22	1180	1300	50	60	376
200-32	15	160L	250	200	PN 16	670	180	355	425	120	900	180	195	160	645	255	10	710	655	22	1180	1300	50	60	399
	18.5	180M	250	200	PN 16	670	180	355	425	120	900	180	175	180	670	285	10	710	655	22	1280	1400	50	60	428
	22	180L	250	200	PN 16	670	180	355	425	120	900	180	175	180	710	285	10	710	655	22	1280	1400	50	60	452
	30	200L	250	200	PN 16	670	180	355	425	120	900	180	155	200	775	310	10	710	655	22	1280	1400	50	60	510
	37	225S	250	200	PN 16	670	200	355	450	140	945	180	130	225	820	345	12	720	660	22	1376	1500	50	62	572
200-40	30	200L	250	200	PN 16	670	200	355	450	120	925	180	155	200	775	310	10	710	655	22	1280	1400	50	60	610
	37	225S	250	200	PN 16	670	200	355	450	140	945	180	130	225	820	345	12	720	660	22	1376	1500	50	62	672
	45	225M	250	200	PN 16	670	200	355	450	140	945	180	130	225	845	345	12	720	660	22	1376	1500	50	62	700
	55	250M	250	200	PN 16	670	200	355	450	140	945	180	105	250	930	385	12	720	660	22	1476	1600	50	62	770
	75	280S	250	200	PN 16	670	200	355	450	140	945	180	75	280	1000	410	12	720	660	22	1476	1600	50	62	930
200-50	55	250M	250	200	PN 16	670	180	355	500	140	995	180	105	250	930	385	12	720	660	22	1476	1600	50	62	899
	75	280S	250	200	PN 16	670	180	355	500	140	995	180	75	280	1000	410	12	720	660	22	1476	1600	50	62	1059
	90	280M	250	200	PN 16	670	180	355	500	160	1015	180	75	280	1050	410	12	730	665	22	1676	1800	50	62	1178
	110	315S	250	200	PN 16	670	180	355	500	160	1015	180	40	315	1220	576	12	780	715	22	1676	1800	50	62	1518
	132	315M	250	200	PN 16	670	180	355	500	160	1015	180	40	315	1270	576	12	780	715	22	1676	1800	50	62	1618
250-32	160	315M	250	200	PN 16	670	180	355	500	160	1015	180	40	315	1270	576	12	780	715	22	1676	1800	50	62	1658
	90	280M	250	200	PN 16	670	200	425	560	160	1145	180	145	280	1050	410	12	930	865	22	1676	1800	50	62	1253
	110	315S	250	200	PN 16	670	200	425	560	160	1145	180	110	315	1220	576	12	930	865	22	1676	1800	50	62	1593
	132	315M	250	200	PN 16	670	200	425	560	160	1145	180	110	315	1270	576	12	930	865	22	1676	1800	50	62	1693
	160	315M	250	200	PN 16	670	200	425	560	160	1145	180	110	315	1270	576	12	930	865	22	1676	1800	50	62	1733
250-40	200	315L	250	200	PN 16	670	200	425	560	160	1145	180	110	315	1325	530	12	930	865	22	1676	1800	50	62	1863
	250	355M	250	200	PN 16	670	200	425	560	160	1145	180	70	355	1530	655	12	930	865	22	1676	1800	50	62	2293
	315	355L	250	200	PN 16	670	200	425	560	160	1145	180	70	355	1530	655	12	930	865	22	1676	1800	50	62	2443
	45	225M	300	250	PN 16	670	250	400	560	140	1100	180	175	225	845	345	12	920	860	22	1376	1500	80	62	783
	55	250M	300	250	PN 16	670	250	400	560	140	1100	180	150	250	930	385	12	920	860	22	1476	1600	80	62	853
250-50	75	280S	300	250	PN 16	670	250	400	560	160	1120	180	120	280	1000	410	12	930	865	22	1676	1800	80	62	1032
	90	280M	300	250	PN 16	670	250	400	560	160	1120	180	120	280	1050	410	12	930	865	22	1676	1800	80	62	1132
	75	280S	300	250	PN 16	720	200	425	600	160	1185	180	145	280	1000	410	12	930	865	22	1676	1800	80	62	1139
	90	280M	300	250	PN 16	720	200	425	600	160	1185	180	145	280	1050	410	12	930	865	22	1676	1800	80	62	1239
	110	315S	300	250	PN 16	720	200	425	600	160	1185	180	110	315	1220	576	12	930	865	22	1676	1800	80	62	1579
250-60	132	315M	300	250	PN 16	720	200	425	600	160	1185	180	110	315	1270	576	12	930	865	22	1676	1800	80	62	1679
	160	315M	300	250	PN 16	720	200	425	600	160	1185	180	110	315	1270	576	12	930	865	22	1676	1800	80	62	1719